

Hurricane 2000

User Manual



Edition Notes

The Hurricane 2000 User Manual includes a description, safety precautions, installation, programming, operation, and maintenance instructions for the Hurricane 2000 as of the release date of this edition.

Trademarks

Chauvet, Chauvet DJ, the Chauvet logo, and Hurricane 2000 are registered trademarks or trademarks of Chauvet & Sons, LLC (d/b/a Chauvet and Chauvet Lighting) in the United States and other countries. Other company and product names and logos referred to herein may be trademarks of their respective companies.

Copyright Notice

The works of authorship contained in this manual, including, but not limited to, all designs, text, and images are owned by Chauvet.

© Copyright 2024 Chauvet & Sons, LLC. All rights reserved.

Electronically published by Chauvet in the United States of America.

Manual Use

Chauvet authorizes its customers to download and print this manual for professional information purposes only. Chauvet expressly prohibits the usage, copy, storage, distribution, modification, or printing of this manual or its content for any other purpose without written consent from Chauvet.

Document Printing

For best results, print this document in color, on letter size paper (8.5 x 11 in), double-sided. If using A4 paper (210 x 297 mm), configure the printer to scale the content accordingly.

Intended Audience

Any person installing, operating, and/or maintaining this product should completely read through the guide that shipped with the product, as well as this manual, before installing, operating, or maintaining this product.

Disclaimer

Chauvet believes that the information contained in this manual is accurate in all respects. However, Chauvet assumes no responsibility and specifically disclaims any and all liability to any party for any loss, damage, or disruption caused by any errors or omissions in this document, whether such errors or omissions result from negligence, accident, or any other cause. Chauvet reserves the right to revise the content of this document without any obligation to notify any person or company of such revision; however, Chauvet has no obligation to make, and does not commit to make, any such revisions.

Document Revision

Go to www.chauvetdj.com for the latest version.

Revision	Date	Description
3	11/2024	Updated info for compatible fluid

Table of Contents

1. Before You Begin	1
What Is Included	1
Unpacking Instructions.....	1
Claims	1
Text Conventions	1
Symbols	1
Safety Notes.....	2
2. Introduction	3
Product Overview.....	3
Product Dimensions.....	4
3. Setup	5
AC Power.....	5
Resetting the Breaker	5
Mounting	5
Orientation.....	5
Rigging.....	5
4. Operation	7
Hurricane 2000 Control Priority.....	7
Control Panel Operation.....	7
Control Panel Description	7
Programming.....	7
Operation	8
Remote or Manual Operation.....	8
Optional FC-W Wireless Remote	8
Menu Map	9
DMX Linking.....	9
DMX Configuration.....	9
Starting Address.....	9
DMX Values	9
5. Maintenance and Storage	10
Fogger Maintenance	10
Storage.....	10
6. Technical Specifications	11
Contact Us	12

1. Before You Begin

What Is Included

- Hurricane 2000
- Power cable
- Quick Reference Guide

Unpacking Instructions

Carefully unpack the product immediately and check the container to make sure all the parts are in the package and are in good condition.

Claims





If the box or the contents (the product and included accessories) appear damaged from shipping, or show signs of mishandling, notify the carrier immediately, not Chauvet. Failure to report damage to the carrier immediately may invalidate your claim. In addition, keep the box and contents for inspection.

For other issues, such as missing components or parts, damage not related to shipping, or concealed damage, file a claim with Chauvet within 7 days of delivery.

Text Conventions

CONVENTION	MEANING
1–512	A range of values
50/60	A set of values of which only one can be chosen
Settings	A menu option not to be modified
<ENTER>	A key to be pressed on the product's control panel
ON	A value to be entered or selected

Symbols

SYMBOL	MEANING
	Electrical warning. Not following these instructions may cause electrical damage to the product, accessories, or the user.
	Critical installation, configuration, or operation information. Not following these instructions may make the product not work, cause damage to the product, or cause harm to the operator.
	Important installation or configuration information. The product may not function correctly if this information is not used.
	Useful information.

Safety Notes



- This product is not intended for permanent installation.
- ONLY connect this product to a grounded and protected circuit.
- Always disconnect from power before cleaning or resetting the breaker.
- Make sure the power cord is not crimped or damaged.
- Never disconnect this product from power by pulling on the cord.
- DO NOT touch this product when it is operating because it may be hot.
- Do not touch the output nozzle on this product. It is very hot during operation and it may remain hot for several hours after turning the unit off.



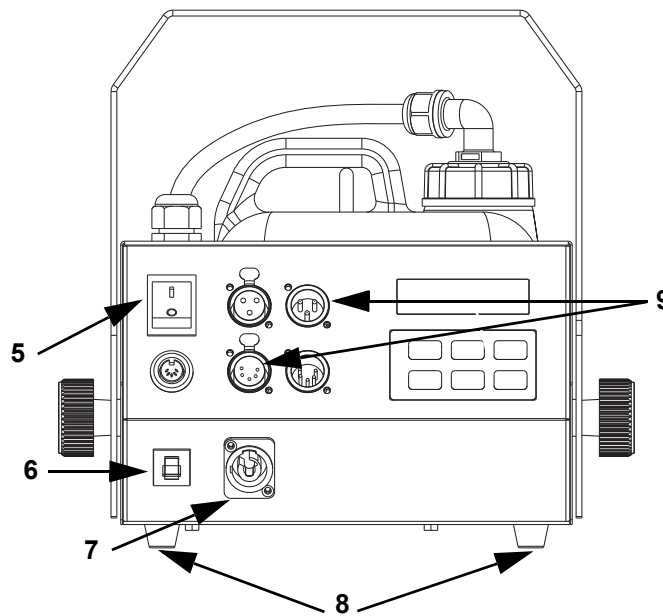
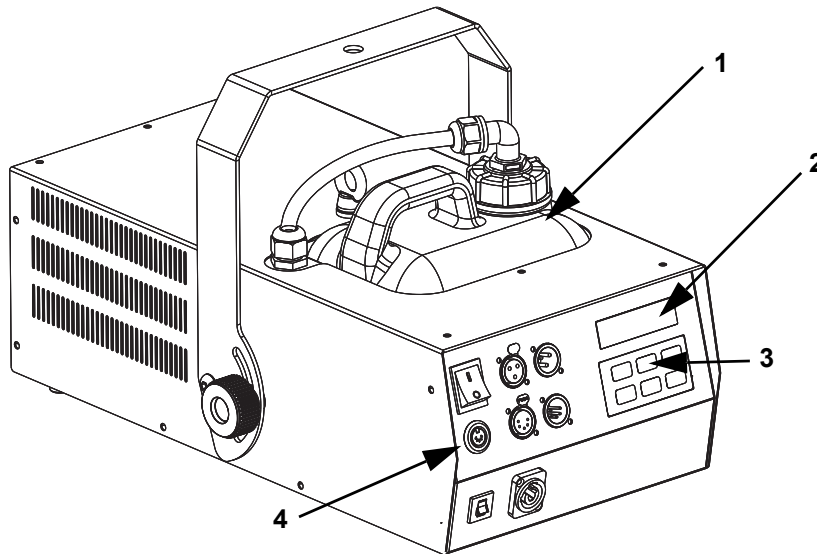
- Depending on the amount of fog/haze generated, all fog machines may set off smoke detectors.
- The voltage of the outlet to which you are connecting this product must be within the range stated on the decal or rear panel of the product.
- Always mount this product in a location with adequate ventilation, at least 20 in (50 cm) from adjacent surfaces.
- Be sure that no ventilation slots on the unit's housing are blocked.
- ONLY use the hanging/mounting bracket to carry this product.
- The maximum ambient temperature is 104 °F (40 °C). Do not operate this product at higher temperatures.
- In the event of a serious operating problem, stop using immediately.
- DO NOT open this product. It contains no user-serviceable parts.
- Do not use for space heating purposes.
- Use only CHAUVET water-based fog fluid.
- Drain the tank before transporting the product.
- To eliminate wear and improve its lifespan, during periods of non-use completely disconnect from power via the main breaker or by unplugging it.



Keep this User Manual for future use. If you sell the product, be sure that the purchaser receives this document.

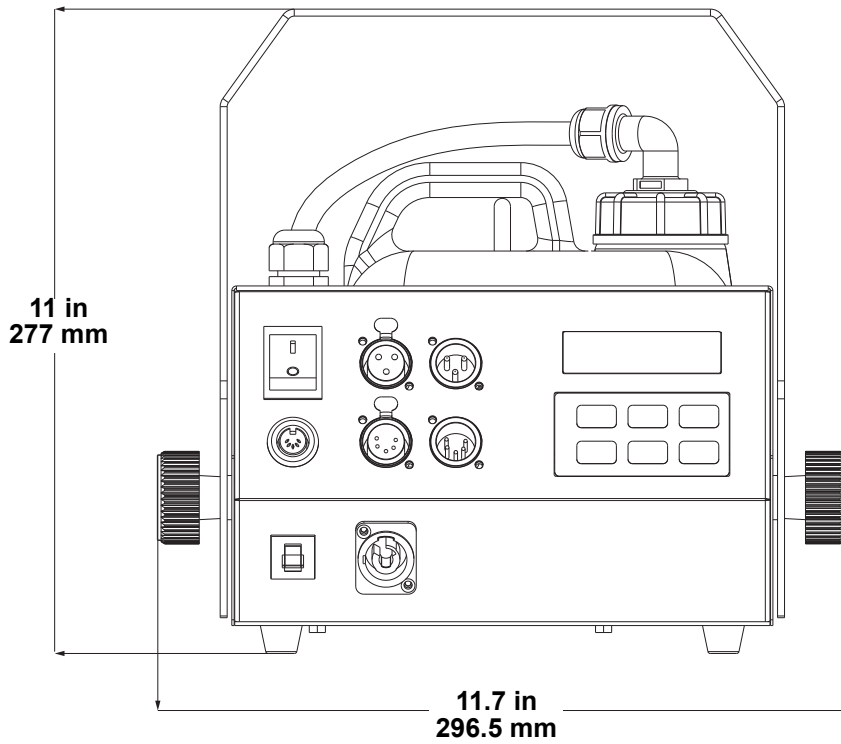
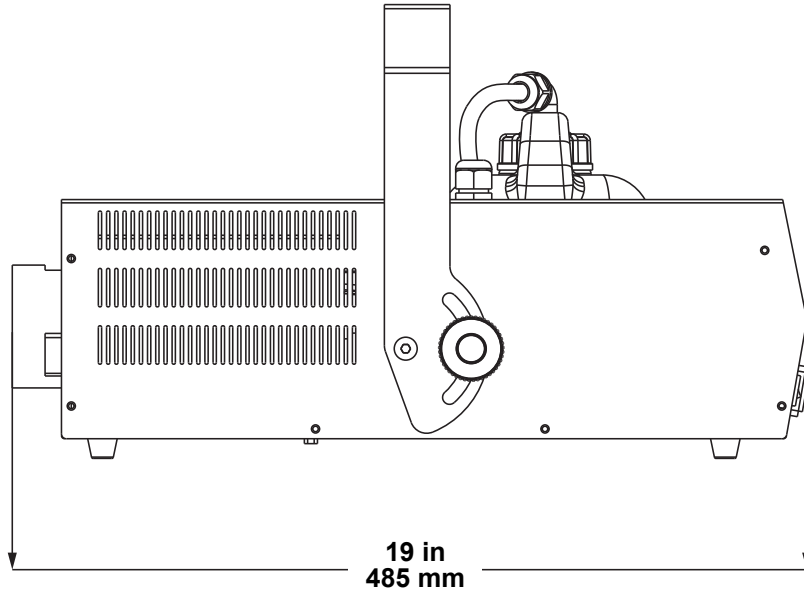
2. Introduction

Product Overview



#	Name	#	Name
1	Fluid tank	6	Breaker
2	LED display	7	Power in
3	Menu buttons	8	Rubber feet
4	Remote connection	9	DMX in/out
5	Power switch		

Product Dimensions



3. Setup

AC Power

The Hurricane 2000 has a auto-ranging voltage power supply and it can work with an input voltage of either 120 VAC, 60 Hz or 230 VAC, 50 Hz, depending on the specific model.

To determine the product's power requirements (circuit breaker, power outlet, and wiring), use the current value listed on the label affixed to the product's back panel, or refer to the product's specifications chart.

The listed current rating indicates the product's average current draw under normal conditions.



- **Always connect the product to a protected circuit (a circuit breaker or fuse). Make sure the product has an appropriate electrical ground to avoid the risk of electrocution or fire.**
- **To eliminate unnecessary wear and improve its lifespan, during periods of non-use completely disconnect the product from power via breaker or by unplugging it.**



Never connect the product to a rheostat (variable resistor) or dimmer circuit, even if the rheostat or dimmer channel serves only as a 0 to 100% switch.

Resetting the Breaker

This product is equipped with a resettable circuit breaker. If the breaker trips, all sections of this product will lose power.

1. Remove the power cord from mains power.
2. Allow unit to cool for 15 minutes.
3. After 15 minutes, you may attempt to reset the breaker by pressing the button with your finger.
4. Plug the product's power cord into the power outlet and continue using as recommended.



Disconnect the product from the power outlet before resetting the breaker.

Mounting

Before mounting the product, read and follow the safety recommendations indicated in the [Safety Notes](#).

Orientation

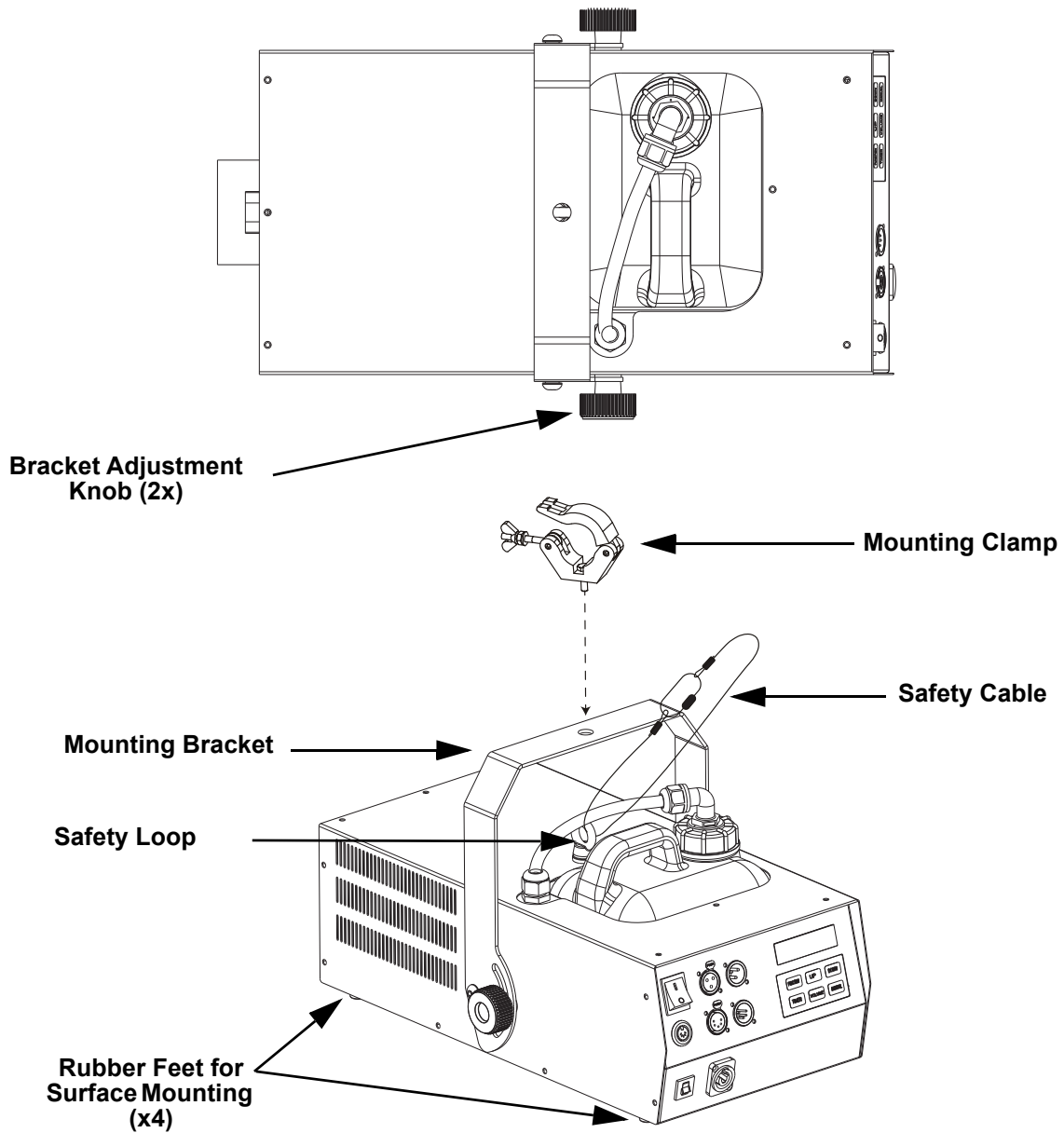


This product may NOT be tilted. This product should be level when on a surface or when mounted.

Rigging

- Before deciding on a location, always make sure there is easy access to the product for maintenance and fluid replenishment.
- Make sure adequate ventilation is provided around the product.
- Make sure that the structure or surface onto which you are mounting the product can support the product's weight. (see the [Technical Specifications](#))
- When mounting the product overhead, always use a safety cable. Mount the product securely to a rigging point, such as an elevated platform or a truss.
- When rigging the product onto a truss, you should use a mounting clamp of appropriate weight capacity. The bracket has 13-mm holes, which are appropriate for this purpose.
- The rubber feet also serve as floor supports and allow for surface mounting. When mounting the product on the floor, make sure that the product and cables are away from people and vehicles.

Mounting Diagram



This product may NOT be tilted. This product should be level when on a surface.



- While operating the Hurricane 2000, make sure there is adequate fog fluid in the machine to prevent pump and heater damage. When the fog fluid level becomes low, simply add more fog fluid to continue using the Hurricane 2000.
- It is recommended to use the following compatible fluids when operating the Hurricane 2000: FJU, FCQ, HDF, QDF.



FCQ (Fog Cleaner Quart) was specifically developed by Chauvet to clean your Hurricane 2000. Make sure you use FCQ regularly, no longer than 90 days between cleanings, to increase the life of your product.

4. Operation

Hurricane 2000 Control Priority

The Hurricane 2000 operates according to the following priority control levels:

Control Panel Operation

To access the control panel functions, use the four buttons located underneath the display, and the two manual control knobs located to the right of the display. Please refer to the [Product Overview](#) to see the button and knob locations on the control panel.

Control Panel Description

BUTTON	FUNCTION
<FUNCTION>	Enters the programming mode
<UP>	Navigates upwards through the menu list and increases the numeric value when in a function
<DOWN>	Navigates downwards through the menu list and decreases the numeric value when in a function
<TIMER>	Starts the timer controlled operation
< VOLUME>	Controls the volume of the fog output, from 1-100%
<MANUAL>	Manual fog output

Programming

Refer to the Menu Map to understand the menu options. The menu map shows the main level and a variable number of programming levels for each option.

- To go to the desired main level, press <FUNCTION> repeatedly until the option shows on the display. This will take you to the first programming level for that option.
- To select an option or value within the current programming level, press <UP> or <DOWN> until the option shows on the display. If there is another programming level, you will see that first option, or you will see the selected value.
- Press <FUNCTION> repeatedly to exit to the previous main level.

Operation

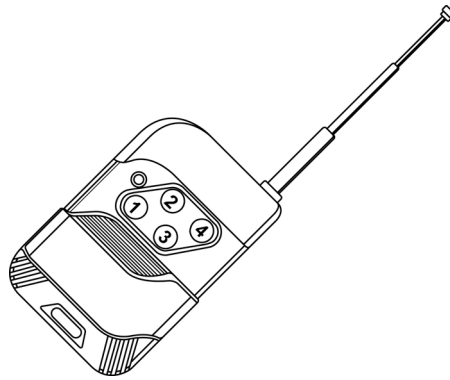
Remote or Manual Operation

The Hurricane 2000 can be operated manually, or with a wireless remote (FC-W). The Manual button is located on the rear of the unit (see the [Product Overview](#)). Details on the optional controllers are available at <http://www.chauvetlighting.com/>.

Optional FC-W Wireless Remote

The optional FC-W wireless remote allows the user to trigger the Hurricane 2000 to produce fog from up to 100 ft away. Plug the fog machine into power and turn the product's power switch on.

1. Plug in the fog machine to power.
2. Plug the FC-W wireless remote receiver into the Wireless Remote Connector on the back of the Hurricane 2000. (See the product Overview.)
3. Allow the Hurricane 2000 3 minutes to heat up (see Fluid Tank Indicator Lights).
4. Press and hold the <1>, <2>, <3>, or <4> button on the wireless remote. (Download the FC-W User Manual from www.chauvetlighting.com for more information on addressing the FC-W)
5. Release the button to stop the fog output.



- Ensure the FC-W has an unobstructed view of the receiver for maximum performance.
- The <2>, <3>, and <4> buttons are reserved for future use.

Menu Map

MODE	PROGRAMMING LEVELS	DESCRIPTION
Interval Set	1-200s	Sets the interval between fog output
Duration Set	1-200s	Sets the duration of the fog output
Timer Out	1-100%	Sets the timer
Volume Out	1-100%	Sets the fog volume
DMX Address	1-512	Selects the DMX starting address
Fluid Sensor	ON	Turns the fluid sensor on/off
	OFF	

DMX Linking

The Hurricane 2000 can work with a DMX controller. Instructions for connecting and configuring this product for DMX operation are in the User Manual. If you are not familiar with DMX, download the DMX Primer from www.chauvetdj.com.

Starting Address

To ensure full access to all channels available in DMX mode, the highest recommended DMX address is **512**.

DMX Configuration

The Hurricane 2000 works with a DMX controller. Information about DMX is in the Chauvet DMX Primer, which is available from the Chauvet website http://www.chauvetlighting.com/downloads/DMX_Primer_rev05_WO.pdf.

Starting Address

When selecting a starting DMX address, always consider the number of DMX channels the selected DMX mode uses. If you choose a starting address that is too high, you could restrict the access to some of the product's channels.

The Hurricane 2000 uses 1 DMX channels, which defines the highest configurable address to **512**.

If you are not familiar with the DMX protocol, download the DMX Primer from www.chauvetdj.com.

To select the starting address, do the following:

1. Press **<MENU>** repeatedly until **DMX Address** shows on the display.
2. Use **<UP>** or **<DOWN>** to select the starting address.
3. Press **<ENTER>**.

DMX Values

CHANNEL	FUNCTION	VALUE	PERCENT/SETTING
1	Fog output	000 ⇔ 005	No function
		006 ⇔ 255	Fog volume, low to high

5. Maintenance and Storage

Fogger Maintenance

Do not allow the fogger to become clogged. After every 40 hours of continuous operation, use Chauvet Fog Cleaner Quart (FCQ) through the system to prevent the accumulation of particulate matter in the heating element.

The recommended cleaning procedure is as follows.

1. Unplug the product from power.
2. Empty all fog fluid from the machine.
3. Add cleaning solution to the tank.
4. Connect the product to power and allow it to warm up.
5. Run the unit in a well-ventilated area until the tank is almost empty. Do not allow the pump to run dry.
6. Refill with fog fluid to continue using the Fogger. Run the machine briefly to clear any remaining cleaning solution from the pump and heater.



Do Not operate the machine without fluid at any time.



Fog Cleaner Quart (FCQ) was specifically developed by Chauvet to clean your Hurricane 2000. Make sure you use FCQ regularly, no longer than 90 days between cleanings, to increase the life of your product.

Storage

Before storing the fogger, run FCQ through the system as described in the cleaning procedure above; however, only follow steps 1 through 5. **Do not refill the tank with fog fluid if storing the fogger.** Cleaning the system prior to storage will help prevent any particles from condensing inside the pump or heater while not in use.



Test-run your Hurricane 2000 on a monthly basis to achieve the best performance.

Powering off the unit for transport

Follow these instructions to prevent leaks, and allow the air pump to entirely clear the fluid line and heater of the fog fluid before power off.

To prevent spills or leaks before, during, or after transport, Chauvet recommends the following steps for your Hurricane 2000:



1. Turn the "**Fog Volume**" output to off.
2. Wait 30-45 seconds.
3. When there is no more fog fluid in the output line, turn off the machine by pressing the power switch.

6. Technical Specifications

Dimensions and Weight

LENGTH	WIDTH	HEIGHT	WEIGHT
19 in (485 mm)	11.7 in (296 mm)	11 in (277 mm)	13.6 lb (6.2 kg)

Note: Dimensions in inches rounded to the nearest decimal digit.

Power

POWER SUPPLY TYPE	RANGE	VOLTAGE SELECTION
Model-specific	120 VAC, 60 Hz, or 230 VAC, 50 Hz	Fixed
PARAMETER	120 V, 60 Hz	230 V, 50 Hz
Consumption	1230 W	1350 W
Operating Current	10.3 A	6 A
Breaker	15 A, 250 V	15 A, 250 V
POWER I/O	U.S./WORLDWIDE	UK/EUROPE
Power input connector	IEC	IEC
Power cord plug	Edison (U.S.)	Local Plug

Operation

HEAT-UP TIME	TANK CAPACITY	COMPATIBLE FLUIDS	FLUID CONSUMPTION
3 min	1 gal (3 l)	FJU, FCQ, HDF, QDF	48.6 ml/min

Fog Output

OUTPUT
30,000 cfm

Thermal

MAXIMUM EXTERNAL TEMPERATURE	COOLING SYSTEM
104 °F (40 °C)	Convection

DMX

I/O CONNECTOR	CHANNEL RANGE
3-pin or 5-pin XLR	1

Ordering

PRODUCT NAME	ITEM CODE	UPC NUMBER
Hurricane 2000 (120 V)	05071448	781462217969
Hurricane 2000 (230 V)	05071449	781462217976



Contact Us

General Information	Technical Support
Chauvet World Headquarters	
Address: 3360 Davie Rd., Suite 509 Davie, FL 33314 Voice: (954) 577-4455 Fax: (954) 929-5560 Toll Free: (800) 762-1084	Voice: (844) 393-7575 Fax: (954) 756-8015 Email: chauvetcs@chauvetlighting.com Website: www.chauvetdj.com
Chauvet U.K.	
Address: Pod 1 EVO Park Little Oak Drive, Sherwood Park Nottinghamshire, NG15 0EB UK Voice: +44 (0) 1773 511115 Fax: +44 (0) 1773 511110	Email: UKtech@chauvetlighting.eu Website: www.chauvetdj.eu
Chauvet Benelux	
Address: Stokstraat 18 9770 Kruishoutem Belgium Voice: +32 9 388 93 97	Email: BNLtech@chauvetlighting.eu Website: www.chauvetdj.eu
Chauvet France	
Address: 3, Rue Ampère 91380 Chilly-Mazarin France Voice: +33 1 78 85 33 59	Email: FRtech@chauvetlighting.fr Website: www.chauvetdj.eu
Chauvet Germany	
Address: Bruno-Bürgel-Str. 11 28759 Bremen Germany Voice: +49 421 62 60 20	Email: DEtech@chauvetlighting.de Website: www.chauvetdj.eu
Chauvet Mexico	
Address: Av. de las Partidas 34 - 3B (Entrance by Calle 2) Zona Industrial Lerma Lerma, Edo. de México, CP 52000 Voice: +52 (728) 690-2010	Email: servicio@chauvet.com.mx Website: www.chauvetdj.mx

Outside the US, U.K., Ireland, France, Germany, Benelux, or Mexico, contact the dealer of record. Follow the instructions to request support or to return a product. Visit our website for contact details.