

# SlimPAR T6BT ILS

User Manual





## Edition Notes

The SlimPAR T6BT ILS User Manual includes a description, safety precautions, installation, programming, operation, and maintenance instructions for the SlimPAR T6BT ILS as of the release date of this edition.

### Trademarks

Chauvet, Chauvet DJ, the Chauvet logo, and SlimPAR are registered trademarks or trademarks of Chauvet & Sons, LLC (d/b/a Chauvet and Chauvet Lighting) in the United States and other countries. Other company and product names and logos referred to herein may be trademarks of their respective companies.

### Copyright Notice

The works of authorship contained in this manual, including, but not limited to, all designs, text, and images are owned by Chauvet.

© Copyright 2024 Chauvet & Sons, LLC. All rights reserved.

Electronically published by Chauvet in the United States of America.

### Manual Use

Chauvet authorizes its customers to download and print this manual for professional information purposes only. Chauvet expressly prohibits the usage, copy, storage, distribution, modification, or printing of this manual or its content for any other purpose without written consent from Chauvet.

### Document Printing

For best results, print this document in color, on letter size paper (8.5 x 11 in), double-sided. If using A4 paper (210 x 297 mm), configure the printer to scale the content accordingly.

### Intended Audience

Any person installing, operating, and/or maintaining this product should completely read through the guide that shipped with the product, as well as this manual, before installing, operating, or maintaining this product.

### Disclaimer

Chauvet believes that the information contained in this manual is accurate in all respects. However, Chauvet assumes no responsibility and specifically disclaims any and all liability to any party for any loss, damage, or disruption caused by any errors or omissions in this document, whether such errors or omissions result from negligence, accident, or any other cause. Chauvet reserves the right to revise the content of this document without any obligation to notify any person or company of such revision; however, Chauvet has no obligation to make, and does not commit to make, any such revisions.

### Document Revision

Go to [www.chauvetdj.com](http://www.chauvetdj.com) for the latest version.

Revision	Date	Description
1	08/2024	Initial release

## TABLE OF CONTENTS

<b>1. Before You Begin</b> .....	1
What Is Included .....	1
Unpacking Instructions .....	1
Claims .....	1
Text Conventions .....	1
Symbols .....	1
Safety Notes .....	2
FCC Statement of Compliance .....	2
<b>2. Introduction</b> .....	3
Product Overview .....	3
Product Dimensions .....	3
<b>3. Setup</b> .....	4
AC Power .....	4
AC Plug .....	4
Fuse Replacement .....	4
Power Linking .....	5
Mounting .....	6
Orientation .....	6
Rigging .....	6
<b>4. Operation</b> .....	7
Control Panel Operation .....	7
Menu Map .....	7
DMX Configuration .....	7
DMX Personality and Starting Address .....	7
DMX Charts .....	8
Standalone Configuration .....	8
Static Colors .....	8
Automatic Programs .....	8
Automatic Speed .....	8
Sound-Active Mode .....	8
Custom Color Mixing .....	9
Dimmer .....	9
Bluetooth Configuration .....	9
D-Fi USB Connectivity .....	10
D-Fi USB Compatibility .....	10
D-Fi USB Configuration .....	10
D-Fi USB DIP Switch Channels .....	10
IRC-6 Infrared Remote Control .....	11
Wired Master/Slave Mode .....	12
D-Fi USB Master/Slave Mode .....	12
ILS Mode .....	13
<b>5. Maintenance</b> .....	14
Product Maintenance .....	14
<b>6. Technical Specifications</b> .....	15
<b>Contact Us</b> .....	16
Warranty & Returns .....	16

# 1. Before You Begin

## What Is Included

- SlimPAR T6BT ILS
- Power cable
- Quick Reference Guide

## Unpacking Instructions

Carefully unpack the product immediately and check the container to make sure all the parts are in the package and are in good condition.

## Claims





If the box or the contents (the product and included accessories) appear damaged from shipping, or show signs of mishandling, notify the carrier immediately, not Chauvet. Failure to report damage to the carrier immediately may invalidate a claim. In addition, keep the box and contents for inspection.

For other issues, such as missing components or parts, damage not related to shipping, or concealed damage, file a claim with Chauvet within 7 days of delivery.

## Text Conventions

Convention	Meaning
<b>1–512</b>	A range of values
<b>50/60</b>	A set of values of which only one can be chosen
<b>Settings</b>	A menu option not to be modified
<b>&lt;ENTER&gt;</b>	A key to be pressed on the product's control panel
<b>ON</b>	A value to be entered or selected

## Symbols

Symbol	Meaning
	Electrical warning. Not following these instructions may cause electrical damage to the product, accessories, or the user.
	Critical installation, configuration, or operation information. Not following these instructions may make the product not work, cause damage to the product, or cause harm to the operator.
	Important installation or configuration information. The product may not function correctly if this information is not used.
	Useful information.

### Safety Notes

These Safety Notes include important information about installation, use, and maintenance of the SlimPAR T6BT ILS.



■ **ALWAYS:**

- ◆ Connect to a grounded circuit.
- ◆ Connect to operating voltages as specified on the product's spec sticker.
- ◆ Disconnect from power before replacing the fuse.
- ◆ Disconnect from its power source during periods of inactivity.
- ◆ Use a safety cable when suspending overhead.
- ◆ Heed all restrictions and warnings on the spec sticker.
- ◆ Mount in a location with at least 20 in (50 cm) of ventilation.
- ◆ Replace the fuse with the same type and rating.
- ◆ Use a clamp with a captive bolt when a single hanging bracket is used.

- In the event of a serious operating problem, stop using immediately.

■ **DO NOT:**

- ◆ Open this product or attempt any repairs. It contains no user-serviceable parts.
- ◆ Look at the light source when the product is on.
- ◆ Use if the power cable is crimped or damaged.
- ◆ Disconnect by pulling on the power cable.
- ◆ Allow flammable materials close to the product when it is operating.
- ◆ Touch the housing when it is on.
- ◆ Block any ventilation holes/slots in the housing.
- ◆ Connect to a dimmer or rheostat.
- ◆ Carry the product by its power cable.
- ◆ Operate in temperatures higher than 104°F (40°C).
- ◆ Expose to environments that exceed the Ingress Protection (IP) rating.
- ◆ Expose to rain or moisture.
- ◆ Use outdoors.
- ◆ Submerge.
- ◆ Leave outdoors for extended periods of time.
- ◆ Expose to corrosive environmental conditions such as temperature, humidity, salinity, pressure, radiation, or shock.
- ◆ Set this product on a flammable surface.



**Keep this User Manual for future use. If the product is sold to someone else, be sure that they also receive this document.**

### FCC Statement of Compliance

This device complies with Part 15 Part B of the FCC rules. Operation is subject to the following two conditions:

1. This device may not cause harmful interference, and
2. This device must accept any interference received, including interference that may cause undesired operation.

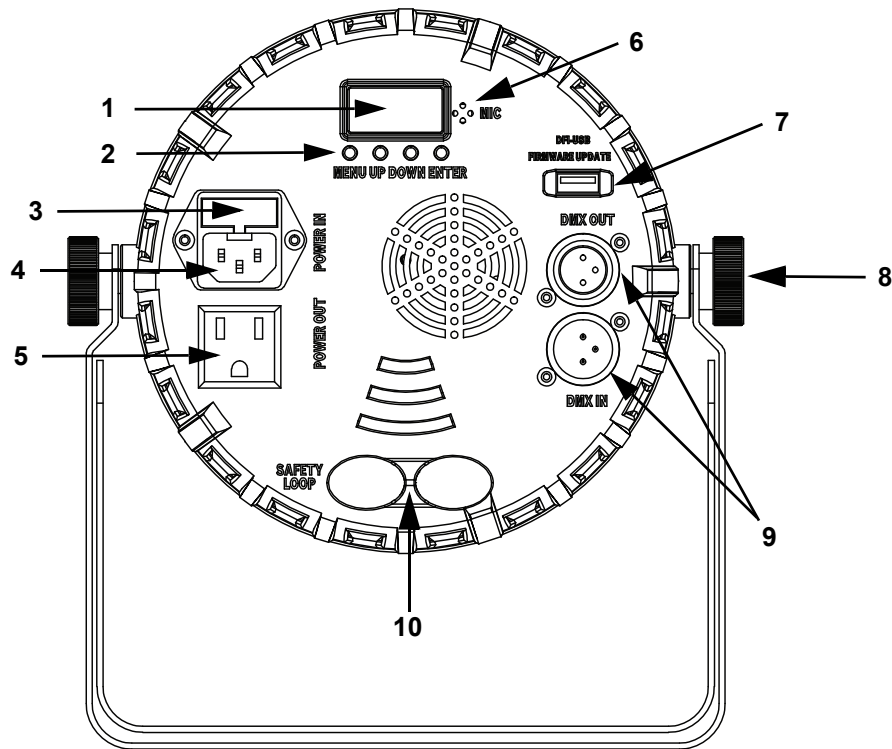
This equipment has been tested and found to comply with the limits for a Class B digital device, pursuant to Part 15 of the FCC Rules. These limits are designed to provide reasonable protection against harmful interference in a residential installation. This equipment generates uses and can radiate radio frequency energy and, if not installed and used in accordance with the instructions, may cause harmful interference to radio communications. However, there is no guarantee that interference will not occur in a particular installation. If this equipment does cause harmful interference to radio or television reception, which can be determined by turning the equipment off and on, the user is encouraged to try to correct the interference by one or more of the following measures:

- ◆ Reorient or relocate the receiving antenna.
- ◆ Increase the separation between the equipment and receiver.
- ◆ Connect the equipment into an outlet on a circuit different from that to which the receiver is connected.
- ◆ Consult the dealer or an experienced radio/TV technician for help.

Any changes or modifications not expressly approved by the party responsible for compliance could void the user's authority to operate the equipment.

## 2. Introduction

### Product Overview

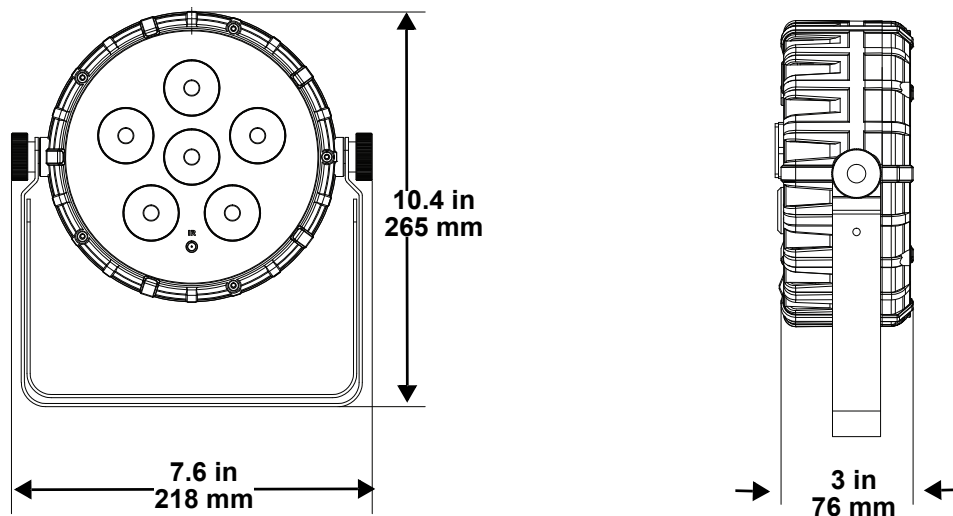


#	Name	#	Name
1	Display	6	Mic
2	Menu button	7	D-Fi USB port
3	Fuse holder	8	Bracket adjustment knob
4	Power in	9	DMX in/out
5	Power out	10	Safety loop



**WARNING! DO NOT** plug anything other than a D-Fi USB into the USB type B port. Doing so may cause damage to the product.

### Product Dimensions



## 3. Setup

### AC Power

The SlimPAR T6BT ILS has an auto-ranging power supply and it can work with an input voltage range of 100 to 240 VAC, 50/60 Hz.

To determine the product's power requirements (circuit breaker, power outlet, and wiring), use the current value listed on the label affixed to the product's back panel, or refer to the product's specifications chart. The listed current rating indicates the product's average current draw under normal conditions.



- **Always connect the product to a protected circuit (a circuit breaker or fuse). Make sure the product has an appropriate electrical ground to avoid the risk of electrocution or fire.**
- **To eliminate unnecessary wear and improve its lifespan, during periods of non-use completely disconnect the product from power via breaker or by unplugging it.**



- **Never connect the product to a rheostat (variable resistor) or dimmer circuit, even if the rheostat or dimmer channel serves only as a 0 to 100% switch.**

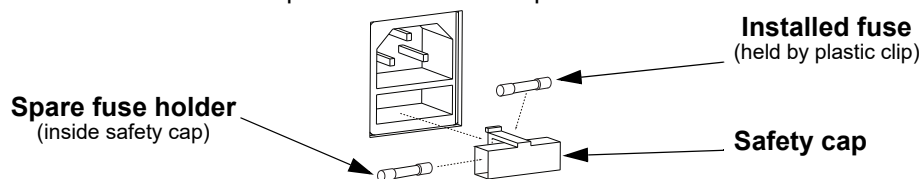
### AC Plug

This product can be connected to a dimmer or rheostat, by plugging in to a standard outlet controlled by a dimmer or rheostat, or by splicing the power cable and connecting to the included track adapter.

Connection	Wire (U.S.)	Wire (Europe)	Screw Color
AC Live	Black	Brown	Yellow/Brass
AC Neutral	White	Blue	Silver
AC Ground	Green/Yellow	Green/Yellow	Green/Silver

### Fuse Replacement

1. Disconnect the product from power.
2. Wedge the tip of a flat-head screwdriver into the slot of the fuse holder.
3. Pry the fuse holder out of the housing.
4. Remove the blown fuse from the holder and replace with a fuse of the exact same type and rating.
5. Insert the fuse holder back in place and reconnect power.



- **Disconnect the product from the power outlet before replacing the fuse.**

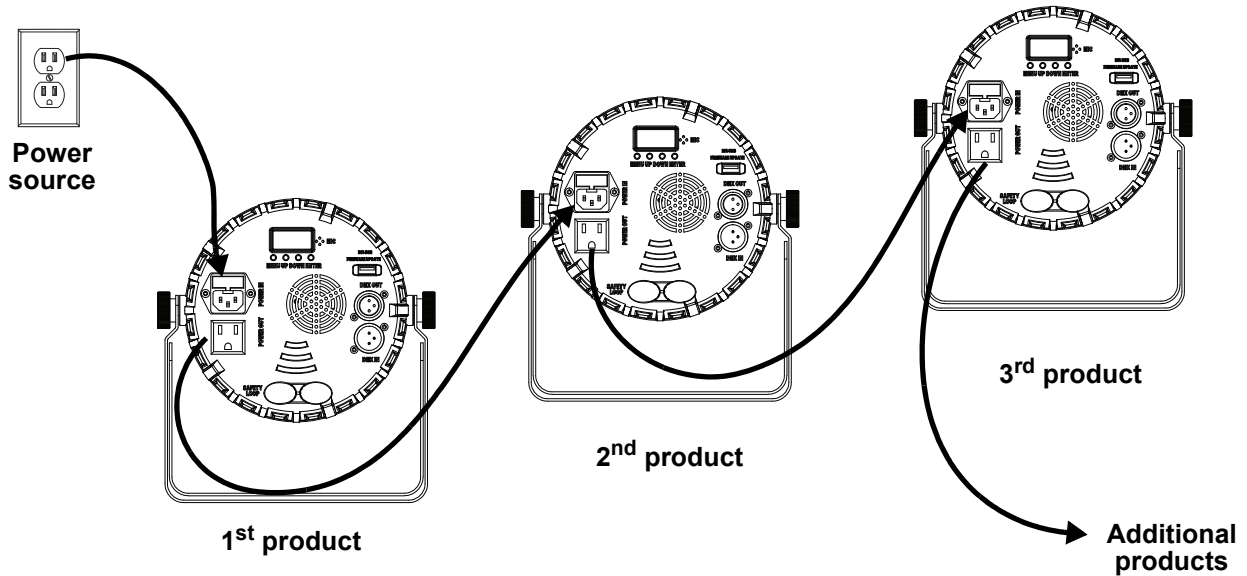


- **Always replace a blown fuse with one of the same type and rating.**

### Power Linking

This product provides power linking via the outlet located in the back of the product. See the diagram below for further explanation.

#### Power Linking Diagram



It is possible to link up to 25 SlimPAR T6BT ILS products on 120 VAC or up to 38 products on 230 VAC.



The power linking diagram shown above corresponds to the North American version of the product **ONLY!** If using the product in other markets, consult with the local Chauvet distributor as power linking connectors and requirements may differ by country or region.



## Mounting

Before mounting the product, read and follow the safety recommendations indicated in the [Safety Notes](#).

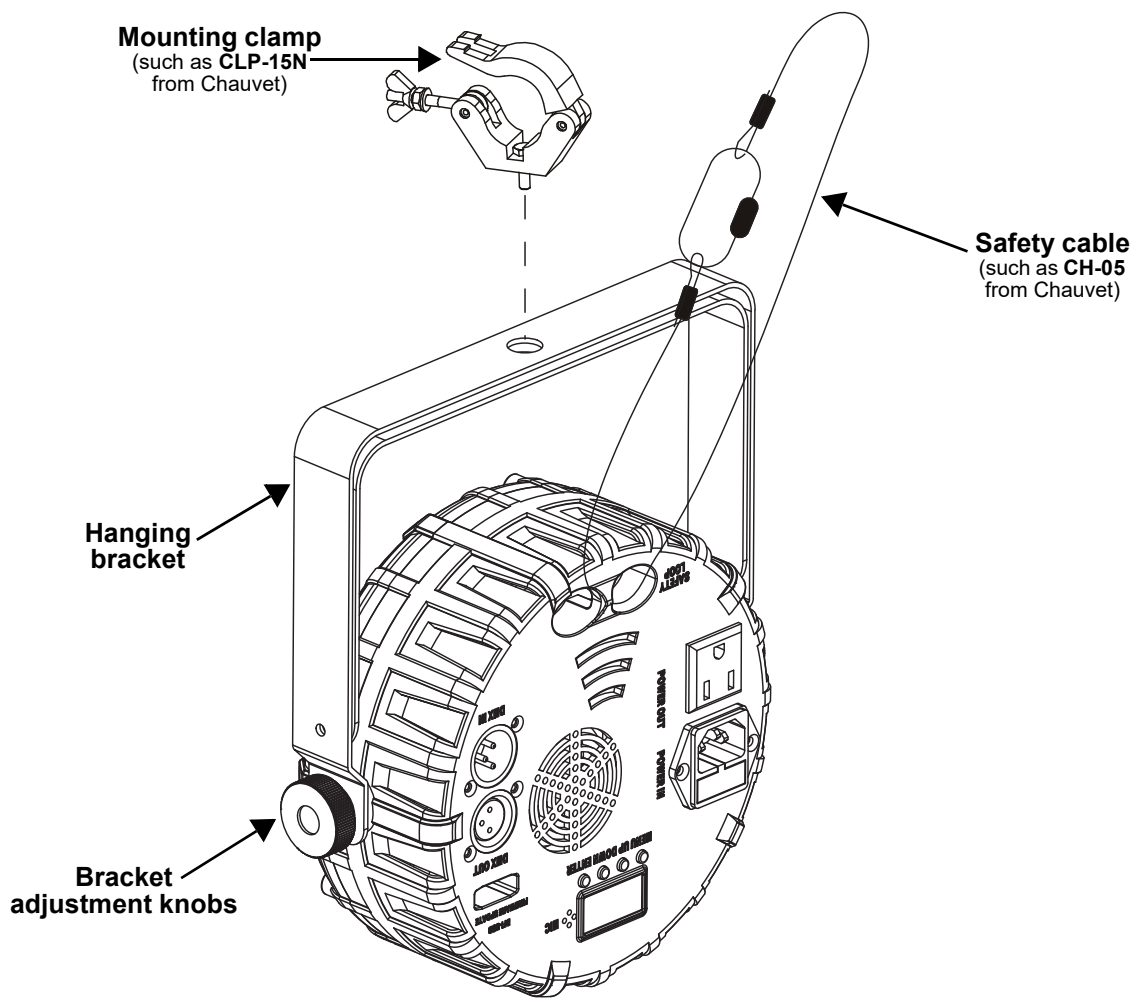
### Orientation

The SlimPAR T6BT ILS may be mounted in any position; however, make sure adequate ventilation is provided around the product.

### Rigging

- Before deciding on a location for the product, always make sure there is easy access to the product for maintenance and programming.
- Make sure that the structure and attachment points can support the weight before hanging the product (see the [Technical Specifications](#) section for weight information).
- When mounting the product overhead, always use a safety cable. Mount the product securely to a rigging point, such as an elevated platform or a truss.
- When rigging the product onto a truss, use a mounting clamp of appropriate weight capacity.
- The bracket adjustment knobs allow for directional adjustment when aiming the product to the desired angle. Only loosen or tighten the bracket knobs manually. Using tools could damage the knobs.
- When power linking multiple products, mount the products close enough for power linking cables to reach.
- When mounting the product on the floor, make sure that the product and cables are away from people and vehicles.

### Mounting Diagram



To prevent accidental loosening when using a single mounting clamp, be sure to use a clamp with a captive bolt.

## 4. Operation

### Control Panel Operation

To access the control panel functions, use the four buttons located underneath the display. Please refer to the [Product Overview](#) to see the button locations on the control panel.

Button	Function
<MENU>	Press to find an operation mode or to back out of the current menu option
<UP>	Press to scroll up the list of options or to find a higher value
<DOWN>	Press to scroll down the list of options or to find a lower value
<ENTER>	Press to activate a menu option or a selected value

### Menu Map

Refer to the SlimPAR T6BT ILS product page on [www.chauvetdj.com](http://www.chauvetdj.com) for the latest software and menu map.

Mode	Programming Levels		Description	
DMX Mode	3Ch	d001–510	Sets the DMX personality	
	7Ch	d001–506		
ILS Mode	iLS	iLS1–4	Sets ILS mode	
Static Colors	C--	C001–019	Static colors	
Auto Programs	P--	P 1–5	Auto programs	
Auto Speed	S--	S001–100	Program speed for P1~P5	
Dimmer	diM	L001–255	Adjust the dimmer on auto and sound programs	
Sound-Active Mode	Snd	Snd1–5	Sound-active programs	
Custom Color Mixing	u--	r000–255	Custom static colors Combines red, green, and blue	
		g000–255		
		b000–255		
		s000–100	Strobe, slow to fast (1–100)	
Bluetooth Mode	bLE	-----	Bluetooth control mode, displays Bluetooth ID	
Control Mode	SEt	IR	on	Turns infrared on or off
			oFF	
		OUT	DMX	Enable Master/Slave with non-BT products
			SLAV	Enable Master/Slave with other BT products

\*The Bluetooth® word mark and logos are registered trademarks owned by the Bluetooth SIG, Inc. and any use of such marks by Chauvet & Sons, LLC is under license. Other trademarks and trade names are those of their respective owners.

### DMX Configuration

The SlimPAR T6BT ILS works with a DMX controller. Information about DMX is in the Chauvet DMX Primer available from the Chauvet website:

[http://www.chauvetlighting.com/downloads/DMX\\_Primer\\_rev05\\_WO.pdf](http://www.chauvetlighting.com/downloads/DMX_Primer_rev05_WO.pdf).

#### DMX Personality and Starting Address

When selecting a starting DMX address, always consider the number of DMX channels the selected DMX mode uses. If the starting address is set too high, access to some of the product's channels could be restricted.

The SlimPAR T6BT ILS uses up to 7 DMX channels in an 7-Ch DMX mode, which defines the highest configurable address to **506**. For information about the DMX protocol, download the DMX Primer from [www.chauvetdj.com](http://www.chauvetdj.com).

To select the starting address, do the following:

1. Press <MENU> repeatedly until **3Ch** or **7Ch** shows on the display.
2. Press <ENTER> and **d001–510** will show on the display.
3. Use <UP> or <DOWN> to select the starting address.
4. Press <ENTER>.

## DMX Channel Assignments and Values

### DMX Charts

3Ch	7Ch	Function	Value	Percent/Setting
1	1	Red	000 ⇄ 255	0–100%
2	2	Green	000 ⇄ 255	0–100%
3	3	Blue	000 ⇄ 255	0–100%
–	4	Strobe	000 ⇄ 255	0 to 10 Hz, slow to fast
–	5	Auto programs	000 ⇄ 005	No function
			006 ⇄ 055	Program 1
			056 ⇄ 106	Program 2
			107 ⇄ 157	Program 3
			158 ⇄ 208	Program 4
–	6	Auto program speed	000 ⇄ 250	Speed, slow to fast
			251 ⇄ 255	Sound-active mode
–	7	Dimmer	000 ⇄ 255	0–100%

### Standalone Configuration

Set the product in one of the standalone modes to control without a DMX controller.

- Connect the product to a suitable power outlet.



**Never connect a product that is operating in any standalone mode to a DMX string connected to a DMX controller. Products in standalone mode may transmit DMX signals that could interfere with the DMX signals from the controller.**

### Static Colors

To run the SlimPAR T6BT ILS in Preset Color mode, follow the instructions below:

1. Press **<MENU>** repeatedly until **C--** shows on the display.
2. Press **<ENTER>**.
3. Use **<UP>** or **<DOWN>** to select **C001–019**.
4. Press **<ENTER>**.

### Automatic Programs

To run the SlimPAR T6BT ILS in Automatic mode, do the following:

1. Press **<MENU>** repeatedly until **P--** shows on the display.
2. Press **<ENTER>**.
3. Use **<UP>** or **<DOWN>** to select the desired auto program, **P1** to **P5**.
4. Press **<ENTER>**.

### Automatic Speed

To change the auto program speed, follow the instructions below:

1. Press **<MENU>** repeatedly until **S--** shows on the display.
2. Press **<ENTER>** and **Sxxx** will show on the display.
3. Use **<UP>** or **<DOWN>** to increase or decrease the speed.
4. Press **<ENTER>**.

### Sound-Active Mode

To enable the sound-active mode, do the following:

1. Press **<MENU>** repeatedly until **Snd** shows on the display.
2. Press **<ENTER>**.
3. Use **<UP>** or **<DOWN>** to select **Snd1–5**.
4. Press **<ENTER>**.



**The product will only respond to low frequencies of music (bass and drums).**

### **Custom Color Mixing**

To custom mix a color, do the following:

1. Press **<MENU>** repeatedly until **u--** shows on the display.
2. Press **<ENTER>** and one of the following will show on the display:
  - **r xxx** (red)
  - **g xxx** (green)
  - **b xxx** (blue)
3. Press **<ENTER>** to cycle through the color settings.
4. When the desired color shows on the display, use **<UP>** or **<DOWN>** to increase or decrease the color value.
5. Repeat steps 3 and 4 until the product outputs as desired.

### **Dimmer**

To set the dimmer speed mode, follow the instructions below:

1. Press **<MENU>** repeatedly until **dIM** shows on the display.
2. Press **<ENTER>**.
3. Use **<UP>** or **<DOWN>** to select: **L001** (slow) to **L255** (fast).
4. Press **<ENTER>**.

### **Bluetooth Configuration**

The SlimPAR T6BT ILS can be operated with the BT Air application over a Bluetooth connection.

1. Download and install the BT Air app from your preferred app store.
2. Press **<MENU>** repeatedly until **bLE** shows on the display.
3. Press **<ENTER>**.
4. The App will find and pair automatically to all the BT series products within range.

## D-Fi USB Connectivity

The SlimPAR T6BT ILS is able to become a D-Fi wireless receiver/transmitter with the use of the D-Fi USB from Chauvet DJ. Simply set the product's DMX Personality and DMX Address, set the DIP switch D-Fi receiving/transmitting channel, then plug it into the D-Fi USB port.



**WARNING! DO NOT plug anything other than a D-Fi USB into the USB type B port. Doing so may cause damage to the product.**



Once plugged in, the D-Fi USB will take over the product. Wired DMX and manual display control / menu buttons will be unavailable until the D-Fi USB is unplugged. The priority levels are:

1. D-Fi USB
2. Wired DMX
3. Manual Digital Display/Menu Buttons

## D-Fi USB Compatibility

The D-Fi USB can receive a DMX signal from the D-Fi Hub and the FlareCON Air 2 as well as other D-Fi USB products.

## D-Fi USB Configuration

1. Set the DMX Personality and DMX address on the SlimPAR T6BT ILS.
2. Use the Chart provided to set **BOTH**:
  - the Channel, and then
  - The Receiving or Transmitting option

**NOTE: DIP Switch 5 is for Transmitting OR Receiving, please choose carefully.**

### D-Fi USB DIP Switch Channels

Receiving						Receiving						Transmitting						Transmitting					
Ch.	1	2	3	4	T/R	Ch.	1	2	3	4	T/R	Ch.	1	2	3	4	T/R	Ch.	1	2	3	4	T/R
1	█	█	█	█	█	9	█	█	█	█	█	1	█	█	█	█	█	9	█	█	█	█	█
2	█	█	█	█	█	10	█	█	█	█	█	2	█	█	█	█	█	10	█	█	█	█	█
3	█	█	█	█	█	11	█	█	█	█	█	3	█	█	█	█	█	11	█	█	█	█	█
4	█	█	█	█	█	12	█	█	█	█	█	4	█	█	█	█	█	12	█	█	█	█	█
5	█	█	█	█	█	13	█	█	█	█	█	5	█	█	█	█	█	13	█	█	█	█	█
6	█	█	█	█	█	14	█	█	█	█	█	6	█	█	█	█	█	14	█	█	█	█	█
7	█	█	█	█	█	15	█	█	█	█	█	7	█	█	█	█	█	15	█	█	█	█	█
8	█	█	█	█	█	16	█	█	█	█	█	8	█	█	█	█	█	16	█	█	█	█	█

## IRC-6 Infrared Remote Control

The SlimPAR T6BT ILS is compatible with the IRC-6 infrared remote control from Chauvet.

To enable or disable IRC-6 functionality, do the following:

1. Press **<MENU>** repeatedly until **SEt** shows on the display.
2. Press **<ENTER>**.
3. Press **<UP>** or **<DOWN>** to select **IR**.
4. Press **<ENTER>**.
5. Press **<UP>** or **<DOWN>** to select from **on** (enable) or **oFF** (disable).
6. Press **<ENTER>**.

Consult the table below to operate the SlimPAR T6BT ILS with the IRC-6.

IRC-6	Button	Function
	<b>&lt;AUTO&gt;</b>	Press to activate automatic mode, then use <b>&lt;+&gt;</b> or <b>&lt;-&gt;</b> to select a program
	<b>&lt;SPEED&gt;</b>	Press then use <b>&lt;+&gt;</b> or <b>&lt;-&gt;</b> to increase or decrease speed
	<b>&lt;SOUND&gt;</b>	Press to activate sound-active mode, then use <b>&lt;+&gt;</b> or <b>&lt;-&gt;</b> to select a program
	<b>&lt;SENSITIVITY&gt;</b>	Press then use <b>&lt;+&gt;</b> or <b>&lt;-&gt;</b> to increase or decrease sensitivity
	<b>&lt;STROBE&gt;</b>	Press to toggle strobe, then use <b>&lt;+&gt;</b> or <b>&lt;-&gt;</b> to increase or decrease strobe speed
	<b>&lt;FADE&gt;</b>	Press to activate fade mode, then use <b>&lt;+&gt;</b> or <b>&lt;-&gt;</b> to select a fading program
	<b>&lt;MANUAL&gt;</b>	Press to enable manual color control
	<b>&lt;R&gt;</b>	Press then use <b>&lt;+&gt;</b> or <b>&lt;-&gt;</b> to increase or decrease the red value
	<b>&lt;G&gt;</b>	Press then use <b>&lt;+&gt;</b> or <b>&lt;-&gt;</b> to increase or decrease the green value
	<b>&lt;B&gt;</b>	Press then use <b>&lt;+&gt;</b> or <b>&lt;-&gt;</b> to increase or decrease the blue value
		Press to turn off all the lights until the button is pressed again.
	<b>&lt;BLACK OUT&gt;</b>	<b>NOTE:</b> The IRC-6 will not respond to any inputs when Black Out is activated. If the product does not respond when a button is pressed, try pressing <b>&lt;BLACK OUT&gt;</b> . Black Out may have been activated.



- **Any setting on the IRC-6 will be saved until the system is rebooted. The system will revert to Auto Mode after reboot.**
- **The buttons on the IRC-6 not listed above are reserved for future use.**

## Wired Master/Slave Mode

The Master/Slave mode allows a single SlimPAR T6BT ILS product (the “master”) to control the actions of one or more SlimPAR T6BT ILS products (the “slaves”) without the need of a DMX controller. The master product will be set to operate in either standalone mode or with the IRC-6, while the slave products will be set to operate in slave mode. Once set and connected, the slave products will operate in unison with the master product.

Configure the products as indicated below.

### Slave products:

1. Press **<MENU>** repeatedly until any DMX personality shows on the display.
2. Press **<ENTER>**.
3. Use **<UP>** or **<DOWN>** to set the starting address to **d001**.
4. Press **<ENTER>**.
5. Connect the DMX input of the first slave product to the DMX output of the master product.
6. Connect the DMX input of the subsequent slave products to the DMX output of the previous slave product.
7. Finish setting and connecting all the slave products.

### Master product:

1. Press **<MENU>** repeatedly until **SEt** shows on the display.
2. Press **<ENTER>**.
3. Use **<UP>** or **<DOWN>** to select **OUT**.
4. Press **<ENTER>**.
5. Press **<UP>** or **<DOWN>** to select **DMX** (to Master/Slave with non-BT products) or **SLAV** (to Master/Slave with other BT products).
6. Press **<ENTER>**.
7. Set the master product to operate in standalone or IR mode.
8. Make the master product the first product in the DMX daisy chain



- **Configure all the slave products before connecting the master to the daisy chain.**
- **Never connect a DMX controller to a DMX string configured for Master/Slave operation because the controller may interfere with the signals from the master.**
- **Do not connect more than 31 slaves to the master.**

## D-Fi USB Master/Slave Mode

The D-Fi USB allows a single SlimPAR T6BT ILS product (the “master”) to control the actions of one or more SlimPAR T6BT ILS products (the “slaves”) without the need of a DMX controller or DMX cables. The master (transmitter) product will be set to operate in standalone mode, while the slave (receiver) products will be set to operate in slave mode. Once set and connected, the slave products will operate in unison with the master product.

Configure the products as indicated below.

### Slave products:

1. Press **<MENU>** repeatedly until any personality shows on the display.
2. Press **<ENTER>**.
3. Use **<UP>** or **<DOWN>** to set the starting address to **d001**.
4. Press **<ENTER>**.
5. Set D-Fi USB to receive on a specific channel, 1–16. (Use the [D-Fi USB DIP Switch Channels](#) image for help)
6. Plug in the D-Fi USB.
7. Finish setting and connecting all the slave products.

### Master product:

1. Set the master product to operate in standalone mode.
2. Set the D-Fi USB to transmit on the D-Fi channel the slaves are receiving on.
3. Plug in the D-Fi USB.



- **All products must be set to the same DMX personality, DMX address, and D-Fi channel.**
- **Configure all the slave products before configuring the master to transmit.**
- **Never connect a DMX controller to a D-Fi channel configured for Master/Slave operation because the controller may interfere with the signals from the master.**

## ILS Mode

ILS (Integrated Lighting System) provides 4 modes that synchronize with the GigBAR MOVE+ILS: Modes 1 and 3 synchronize with side 1 of the GigBAR MOVE+ILS, whereas modes 2 and 4 synchronize with side 2 of the GigBAR MOVE+ILS. When linked, effects will sync with the most similar effect on the selected side of the GigBAR MOVE+ILS: Kinta effects will sync with one of the kintas, moving heads will sync with one of the moving heads, and wash effects will sync with one of the pars. Laser effects will sync with the laser, and strobe effects will sync with the strobe effects regardless of ILS mode.

This product will synchronize with the par effect on the selected side of the GigBAR MOVE+ILS.

To set the SlimPAR T6BT ILS to respond to an ILS signal:

1. Press **<MENU>** repeatedly until **iLS\_** shows on the display.
2. Use **<UP>** or **<DOWN>** to select from **iLS1** (side 1), **iLS2** (side 2), **iLS3** (side 1), or **iLS4** (side 2).
3. Press **<ENTER>**.



# 5. Maintenance

## Product Maintenance

Dust build-up reduces light output performance and can cause overheating. This can lead to reduction of the light source's life and/or mechanical wear. To maintain optimum performance and minimize wear, clean all lighting products at least twice a month. However, be aware that usage and environmental conditions could be contributing factors to increase the cleaning frequency.

To clean the product, follow the instructions below:

1. Unplug the product from power.
2. Wait until the product is at room temperature.
3. Use a vacuum (or dry compressed air) and a soft brush to remove dust collected on the external surface/vents.
4. Clean all transparent surfaces with a mild soap solution, ammonia-free glass cleaner, or isopropyl alcohol.
5. Apply the solution directly to a soft, lint free cotton cloth or a lens cleaning tissue.
6. Softly drag any dirt or grime to the outside of the transparent surface.
7. Gently polish the transparent surfaces until they are free of haze and lint.



**Always dry the transparent surfaces carefully after cleaning them.**

## 6. Technical Specifications

### Dimensions and Weight

Length	Width	Height	Weight
10.4 in (265 mm)	7.6 in (218 mm)	3 in (76 mm)	2.2 lb (1 kg)

**Note:** Dimensions in inches are rounded.

### Power

Power Supply Type	Range	Voltage Selection
Switching (internal)	100 to 240 VAC, 50/60 Hz	Auto-ranging

Parameter	120 V, 60 Hz	230 V, 50 Hz
Consumption	21 W	21 W
Operating Current	0.3 A	0.3 A
Power linking current (products)	8 A (25 products)	8 A (38 products)
Fuse	F1 A, 250 V	F1 A, 250 V

Power I/O	U.S./Worldwide	UK/Europe
Power input connector	IEC	IEC
Power output connector	Edison	IEC
Power cable plug	Edison (U.S.)	Local Plug

### Light Source

Type	Color	Quantity	Power	Current	Lifespan
LED	Red Green Blue	6	4.8 W	2 A	50,000 hours

### Photometrics

Beam Angle	Field Angle	Illuminance @ 2m
17°	33°	1,754 lux

### Thermal

Maximum External Temperature	Cooling System
104 °F (40 °C)	Convection

### DMX

I/O Connector	Channel Range
3-pin XLR	3 or 7

### Ordering

Product Name	Item Code	UPC Number
SlimPAR T6BT ILS	10032297	781462226459



## Contact Us

General Information	Technical Support
<b>Chauvet World Headquarters</b>	
Address: 3360 Davie Rd., Suite 509 Davie, FL 33314 Voice: (954) 577-4455 Fax: (954) 929-5560 Toll Free: (800) 762-1084	Voice: (844) 393-7575 Fax: (954) 756-8015 Email: <a href="mailto:chauvetcs@chauvetlighting.com">chauvetcs@chauvetlighting.com</a> Website: <a href="http://www.chauvetdj.com">www.chauvetdj.com</a>
<b>Chauvet U.K.</b>	
Address: Pod 1 EVO Park Little Oak Drive, Sherwood Park Nottinghamshire, NG15 0EB UK Voice: +44 (0) 1773 511115 Fax: +44 (0) 1773 511110	Email: <a href="mailto:UKtech@chauvetlighting.eu">UKtech@chauvetlighting.eu</a> Website: <a href="http://www.chauvetdj.eu">www.chauvetdj.eu</a>
<b>Chauvet Benelux</b>	
Address: Stokstraat 18 9770 Kruishoutem Belgium Voice: +32 9 388 93 97	Email: <a href="mailto:BNLtech@chauvetlighting.eu">BNLtech@chauvetlighting.eu</a> Website: <a href="http://www.chauvetdj.eu">www.chauvetdj.eu</a>
<b>Chauvet France</b>	
Address: 3, Rue Ampère 91380 Chilly-Mazarin France Voice: +33 1 78 85 33 59	Email: <a href="mailto:FRtech@chauvetlighting.fr">FRtech@chauvetlighting.fr</a> Website: <a href="http://www.chauvetdj.eu">www.chauvetdj.eu</a>
<b>Chauvet Germany</b>	
Address: Bruno-Bürgel-Str. 11 28759 Bremen Germany Voice: +49 421 62 60 20	Email: <a href="mailto:DEtech@chauvetlighting.de">DEtech@chauvetlighting.de</a> Website: <a href="http://www.chauvetdj.eu">www.chauvetdj.eu</a>
<b>Chauvet Mexico</b>	
Address: Av. de las Partidas 34 - 3B (Entrance by Calle 2) Zona Industrial Lerma Lerma, Edo. de México, CP 52000 Voice: +52 (728) 690-2010	Email: <a href="mailto:servicio@chauvet.com.mx">servicio@chauvet.com.mx</a> Website: <a href="http://www.chauvetdj.mx">www.chauvetdj.mx</a>

## Warranty & Returns

For warranty terms and conditions and return information, please visit our website.

For customers in the United States and Mexico: [www.chauvetlighting.com/warranty-registration](http://www.chauvetlighting.com/warranty-registration).

For customers in the United Kingdom, Republic of Ireland, Belgium, the Netherlands, Luxembourg, France, and Germany: [www.chauvetlighting.eu/warranty-registration](http://www.chauvetlighting.eu/warranty-registration).