

COLOrband Q4 IP

User Manual



Edition Notes

The COLORband Q4 IP User Manual includes a description, safety precautions, installation, programming, operation, and maintenance instructions for the COLORband Q4 IP as of the release date of this edition.

Trademarks

Chauvet, Chauvet DJ, the Chauvet logo, and COLORband are registered trademarks or trademarks of Chauvet & Sons, LLC (d/b/a Chauvet and Chauvet Lighting) in the United States and other countries. Other company and product names and logos referred to herein may be trademarks of their respective companies.

Copyright Notice

The works of authorship contained in this manual, including, but not limited to, all designs, text, and images are owned by Chauvet.

© Copyright 2024 Chauvet & Sons, LLC. All rights reserved.

Electronically published by Chauvet in the United States of America.

Manual Use

Chauvet authorizes its customers to download and print this manual for professional information purposes only. Chauvet expressly prohibits the usage, copy, storage, distribution, modification, or printing of this manual or its content for any other purpose without written consent from Chauvet.

Document Printing

For best results, print this document in color, on letter size paper (8.5 x 11 in), double-sided. If using A4 paper (210 x 297 mm), configure the printer to scale the content accordingly.

Intended Audience

Any person installing, operating, and/or maintaining this product should completely read through the guide that shipped with the product, as well as this manual, before installing, operating, or maintaining this product.

Disclaimer

Chauvet believes that the information contained in this manual is accurate in all respects. However, Chauvet assumes no responsibility and specifically disclaims any and all liability to any party for any loss, damage, or disruption caused by any errors or omissions in this document, whether such errors or omissions result from negligence, accident, or any other cause. Chauvet reserves the right to revise the content of this document without any obligation to notify any person or company of such revision; however, Chauvet has no obligation to make, and does not commit to make, any such revisions.

Document Revision

Go to www.chauvetdj.com for the latest version.

Revision	Date	Description
4	09/2024	Added torque and vacuum measurements

TABLE OF CONTENTS

1. Before You Begin	1
What Is Included	1
Unpacking Instructions.....	1
Claims	1
Text Conventions	1
Symbols	1
Safety Notes.....	2
2. Introduction	3
Product Overview.....	3
Product Dimensions.....	3
3. Setup	4
AC Power.....	4
AC Plug	4
Power Linking.....	4
Remote Device Management.....	5
Mounting	5
Orientation.....	5
Rigging	5
4. Operation	6
Control Panel Operation.....	6
Menu Map	6
DMX Configuration.....	6
Starting Address.....	6
DMX Channel Assignments and Values	7
Zones for DMX Control	7
Standalone Configuration.....	8
Automatic Program	8
Auto Program Speed.....	8
Static Color Mode.....	8
Custom Color Mixing.....	8
Dimmer.....	8
Screen Lock	8
Factory Reset.....	8
Master/Slave Mode	9
5. Maintenance	10
Product Maintenance	10
Torque Measurements	10
Vacuum Test Measurements	10
6. Technical Specifications	11
Contact Us	12
Warranty & Returns.....	12

1. Before You Begin

What Is Included

- COLORband Q4 IP
- Power cable
- Quick Reference Guide

Unpacking Instructions

Carefully unpack the product immediately and check the container to make sure all the parts are in the package and are in good condition.

Claims





If the box or the contents (the product and included accessories) appear damaged from shipping, or show signs of mishandling, notify the carrier immediately, not Chauvet. Failure to report damage to the carrier immediately may invalidate a claim. In addition, keep the box and contents for inspection.

For other issues, such as missing components or parts, damage not related to shipping, or concealed damage, file a claim with Chauvet within 7 days of delivery.

Text Conventions

Convention	Meaning
1–512	A range of values
50/60	A set of values of which only one can be chosen
Settings	A menu option not to be modified
<ENTER>	A key to be pressed on the product’s control panel
ON	A value to be entered or selected

Symbols

Symbol	Meaning
	Electrical warning. Not following these instructions may cause electrical damage to the product, accessories, or the user.
	Critical installation, configuration, or operation information. Not following these instructions may make the product not work, cause damage to the product, or cause harm to the operator.
	Important installation or configuration information. The product may not function correctly if this information is not used.
	Useful information.

Safety Notes

These Safety Notes include important information about installation, use, and maintenance of the COLORband Q4 IP.



■ **ALWAYS:**

- ◆ Connect to a grounded circuit.
- ◆ Connect to operating voltages as specified on the product's spec sticker.
- ◆ Disconnect from power before replacing the fuse.
- ◆ Disconnect from its power source during periods of inactivity.
- ◆ Use a safety cable when suspending overhead.
- ◆ Heed all restrictions and warnings on the spec sticker.
- ◆ Mount in a location with at least 20 in (50 cm) of ventilation.
- ◆ Replace the fuse with the same type and rating.

- In the event of a serious operating problem, stop using immediately.

■ **DO NOT:**

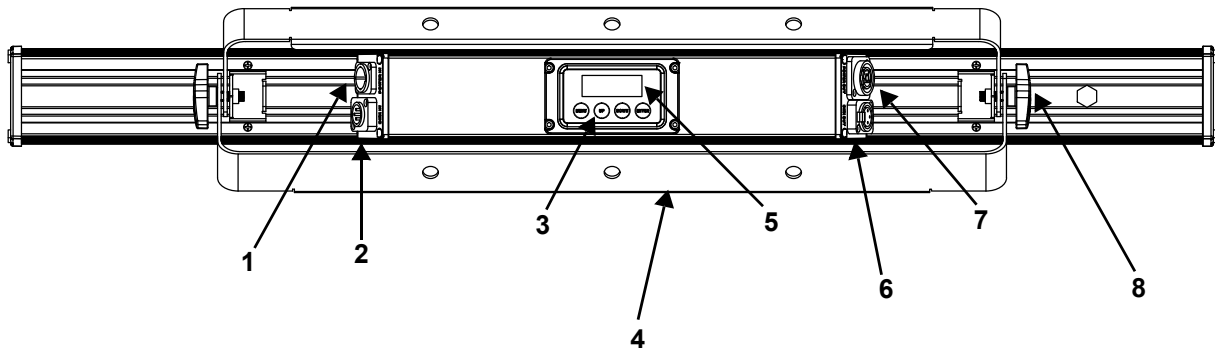
- ◆ Open this product or attempt any repairs. It contains no user-serviceable parts.
- ◆ Look at the light source when the product is on.
- ◆ Use if the power cable is crimped or damaged.
- ◆ Disconnect by pulling on the power cable.
- ◆ Allow flammable materials close to the product when it is operating.
- ◆ Touch the housing when it is on.
- ◆ Block any ventilation holes/slots in the housing.
- ◆ Connect to a dimmer or rheostat.
- ◆ Carry the product by its power cable.
- ◆ Operate in temperatures higher than 104°F (40°C).
- ◆ Expose to environments that exceed the Ingress Protection (IP) rating.
- ◆ Expose to rain or moisture.
- ◆ Use outdoors.
- ◆ Submerge.
- ◆ Leave outdoors for extended periods of time.
- ◆ Expose to corrosive environmental conditions such as temperature, humidity, salinity, pressure, radiation, or shock.
- ◆ Set this product on a flammable surface.



Keep this User Manual for future use. If the product is sold to someone else, be sure that they also receive this document.

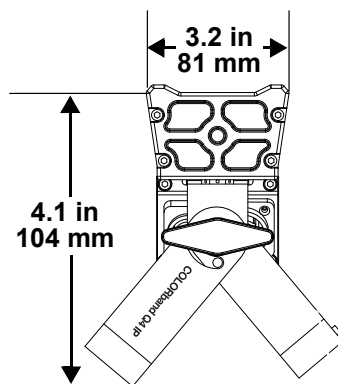
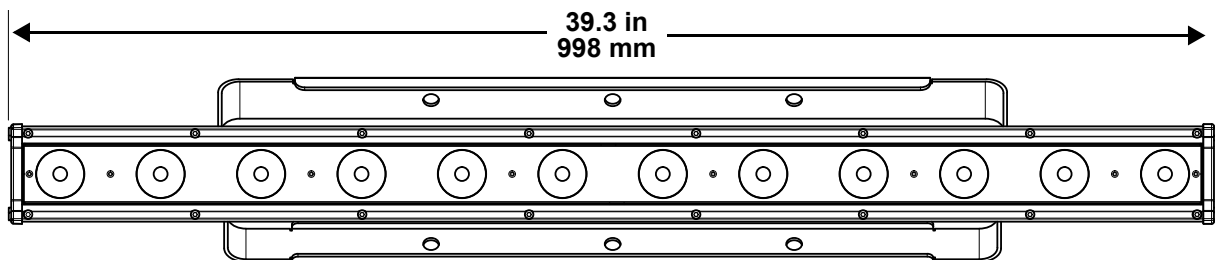
2. Introduction

Product Overview



#	Name	#	Name
1	Power in	5	Display
2	DMX in	6	DMX out
3	Menu buttons	7	Power out
4	Mounting bracket (2x)	8	Bracket adjustment knob (2x)

Product Dimensions



3. Setup

AC Power

The COLORband Q4 IP has an auto-ranging power supply and it can work with an input voltage range of 100 to 240 VAC, 50/60 Hz.

To determine the product's power requirements (circuit breaker, power outlet, and wiring), use the current value listed on the label affixed to the product's back panel, or refer to the product's specifications chart. The listed current rating indicates the product's average current draw under normal conditions.



- **Always connect the product to a protected circuit (a circuit breaker or fuse). Make sure the product has an appropriate electrical ground to avoid the risk of electrocution or fire.**
- **To eliminate unnecessary wear and improve its lifespan, during periods of non-use completely disconnect the product from power via breaker or by unplugging it.**



Never connect the product to a rheostat (variable resistor) or dimmer circuit, even if the rheostat or dimmer channel serves only as a 0 to 100% switch.

AC Plug

This product can be connected to a dimmer or rheostat, by plugging in to a standard outlet controlled by a dimmer or rheostat, or by splicing the power cable and connecting to the included track adapter.

Connection	Wire (U.S.)	Wire (Europe)	Screw Color
AC Live	Black	Brown	Yellow/Brass
AC Neutral	White	Blue	Silver
AC Ground	Green/Yellow	Green/Yellow	Green/Silver

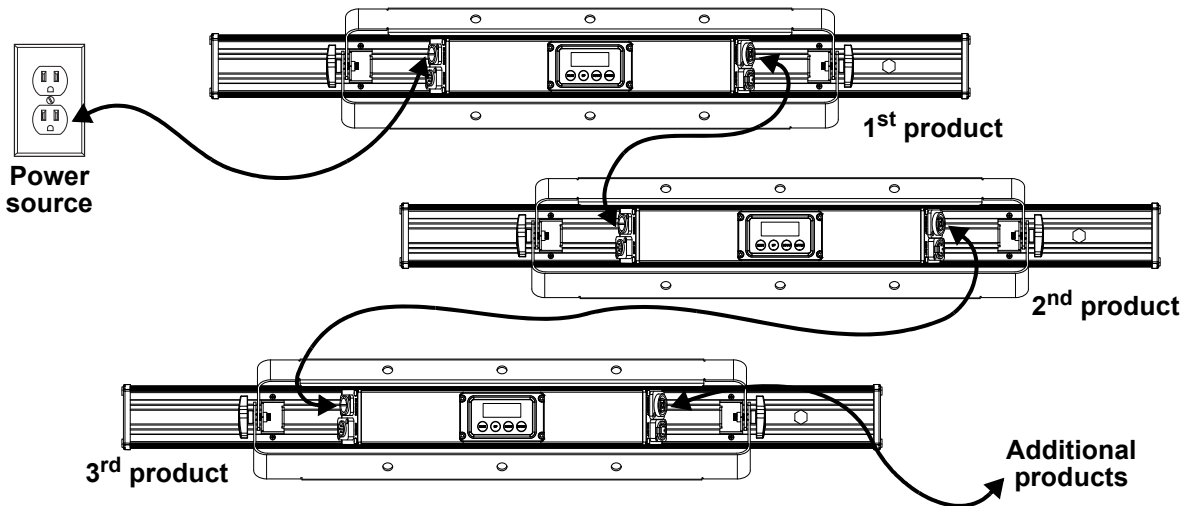


Splicing to a commercial track lighting or dimmer setup should be completed by a licensed professional.

Power Linking

The product provides power linking via the outlet located in the back of the product. See the diagram below for further explanation.

Power Linking Diagram



It is possible to power link up to 9 COLORband Q4 IP products on 120 VAC or up to 16 products on 230 VAC.



The power-linking diagram shown above corresponds to the North American version of the product ONLY! If using the product in other markets, consult with the local Chauvet distributor as power linking connectors and requirements may differ by country or region.

Remote Device Management

Remote Device Management (RDM) is a standard for allowing DMX-enabled devices to communicate bi-directionally along existing DMX cabling. Check the DMX controller's User Manual or with the manufacturer as not all DMX controllers have this capability. The COLORband Q4 IP supports RDM protocol that allows feedback to make changes to menu map options.



RDM is only available via a wired DMX connection. D-Fi connections and ILS modes are not compatible with RDM.

Mounting

Before mounting the product, read and follow the safety recommendations indicated in the [Safety Notes](#).

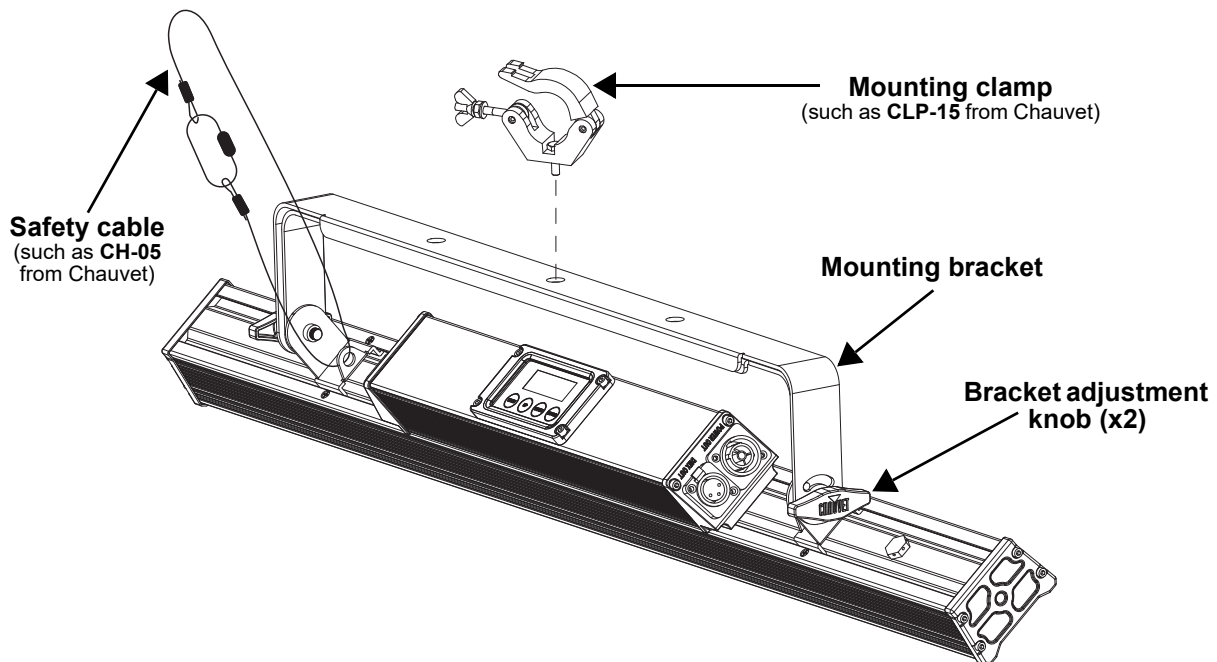
Orientation

The COLORband Q4 IP may be mounted in any position; however, make sure adequate ventilation is provided around the product.

Rigging

- Before deciding on a location for the product, always make sure there is easy access to the product for maintenance and programming.
- Make sure that the structure and attachment points can support the weight before hanging the product (see the [Technical Specifications](#))
- When mounting the product overhead, always use a safety cable. Mount the product securely to a rigging point, such as an elevated platform or a truss.
- When rigging the product onto a truss, use a mounting clamp of appropriate weight capacity.
- The bracket adjustment knobs allow for directional adjustment when aiming the product to the desired angle. Only loosen or tighten the bracket knobs manually. Using tools could damage the knobs.
- When power linking multiple products, mount the products close enough for power linking cables to reach.
- When mounting the product on the floor, make sure that the product and cables are away from people and vehicles.

Mounting Diagram



To prevent accidental loosening when using a single mounting clamp, be sure to use a clamp with a captive bolt.

4. Operation

Control Panel Operation

To access the control panel functions, use the four buttons located underneath the display. Please refer to the [Product Overview](#) to see the button locations on the control panel.

Button	Function
<MENU>	Press to find an operation mode or to back out of the current menu option
<UP>	Press to scroll up the list of options or to find a higher value
<DOWN>	Press to scroll down the list of options or to find a lower value
<ENTER>	Press to activate a menu option or a selected value

Menu Map

Refer to the COLORband Q4 IP product page on www.chauvetdj.com for the latest menu map.

Mode	Programming Levels		Description	
DMX Mode	4CH	d. 1–509	Sets the DMX personality and starting address	
	7CH	d. 1–506		
	10CH	d. 1–503		
	16CH	d. 1–497		
	22CH	d. 1–491		
Static Color	C--	C 1–19	Static colors	
Auto Program	P--	P 1–11	Automatic programs	
Auto Speed	S--	S. 1–100	Program speed for P 1–11	
Custom Color Mixing	u--	r. 0–255 G. 0–255 b. 0–255 A. 0–255	Adjust the red, green, blue, and amber levels to create custom colors	
Dimmer Mode	DIM	oFF	Sets the dimmer curve: dim1 (fast) to dim3 (slow), or oFF	
		dim1–3		
Control Mode	SEt	PASS	oFF	Deactivates password protection to unlock screen
			on	Activates password protection to lock screen Password: <UP>, <DOWN>, <UP>, <DOWN>, <ENTER>
		rESt	no	Resets the product to factory defaults
			YES	

DMX Configuration

The COLORband Q4 IP works with a DMX controller. Information about DMX is in the CHAUVET DMX Primer, which is available from the Chauvet website http://www.chauvetlighting.com/downloads/DMX_Primer_rev05_WO.pdf.

Starting Address

When selecting a starting DMX address, always consider the number of DMX channels the selected DMX mode uses. If you choose a starting address that is too high, you could restrict the access to some of the product’s channels.

The COLORband Q4 IP uses up to 22 DMX channels, which defines the highest configurable address as **491**.

Download the DMX Primer from www.chauvetdj.com to know more about the DMX protocol.

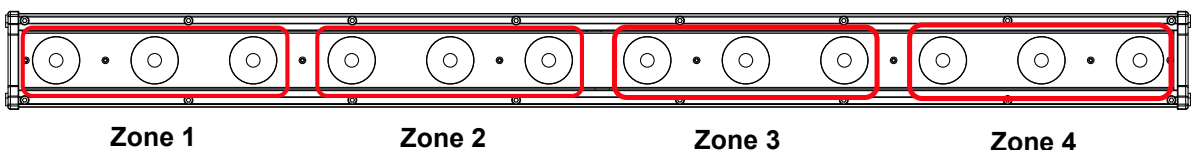
To select the starting address, do the following:

1. Press <MENU> repeatedly until **4Ch**, **7Ch**, **10Ch**, **16Ch**, or **22Ch** shows on the display.
2. Press <ENTER>.
3. Use <UP> or <DOWN> to select the starting address, from **d. 1–509**.
4. Press <ENTER>.

DMX Channel Assignments and Values

4CH	7CH	10CH	16CH	22CH	Function	Value	Percent/Setting
-	1	1	-	1	Dimmer	000 ⇄ 255	0-100%
1	2	2	-	-	Red	000 ⇄ 255	0-100%
2	3	3	-	-	Green	000 ⇄ 255	0-100%
3	4	4	-	-	Blue	000 ⇄ 255	0-100%
4	5	5	-	-	Amber	000 ⇄ 255	0-100%
-	-	-	1	2	Red 1	000 ⇄ 255	0-100%
-	-	-	2	3	Green 1	000 ⇄ 255	0-100%
-	-	-	3	4	Blue 1	000 ⇄ 255	0-100%
-	-	-	4	5	Amber 1	000 ⇄ 255	0-100%
-	-	-	5	6	Red 2	000 ⇄ 255	0-100%
-	-	-	6	7	Green 2	000 ⇄ 255	0-100%
-	-	-	7	8	Blue 2	000 ⇄ 255	0-100%
-	-	-	8	9	Amber 2	000 ⇄ 255	0-100%
-	-	-	9	10	Red 3	000 ⇄ 255	0-100%
-	-	-	10	11	Green 3	000 ⇄ 255	0-100%
-	-	-	11	12	Blue 3	000 ⇄ 255	0-100%
-	-	-	12	13	Amber 3	000 ⇄ 255	0-100%
-	-	-	13	14	Red 4	000 ⇄ 255	0-100%
-	-	-	14	15	Green 4	000 ⇄ 255	0-100%
-	-	-	15	16	Blue 4	000 ⇄ 255	0-100%
-	-	-	16	17	Amber 4	000 ⇄ 255	0-100%
-	-	6	-	18	Color macros	000 ⇄ 010 011 ⇄ 255	No function Color macros
-	6	7	-	19	Strobe	000 ⇄ 015 016 ⇄ 255	No function Strobe, slow to fast
-	-	8	-	20	Automatic programs	000 ⇄ 005 006 ⇄ 028 029 ⇄ 051 052 ⇄ 074 075 ⇄ 097 098 ⇄ 120 121 ⇄ 143 144 ⇄ 166 167 ⇄ 189 190 ⇄ 212 213 ⇄ 235 236 ⇄ 255	No function Automatic program 1 (4-color snap) Automatic program 2 (4-color fade) Automatic program 3 (11-color snap) Automatic program 4 (11-color fade) Automatic program 5 (4-color 4-zone step) Automatic program 6 (11-color in-out snap) Automatic program 7 (11-color in-out fade) Automatic program 8 (rainbow fade) Automatic program 9 (police) Automatic program 10 (police 2) Automatic program 11 (4-zone rainbow fade)
-	-	9	-	21	Program speed	000 ⇄ 255	Automatic program speed, slow to fast
-	7	10	-	22	Dimmer speed mode	000 ⇄ 051 052 ⇄ 101 102 ⇄ 152 153 ⇄ 203 204 ⇄ 255	Preset dimmer speed from display menu Dimmer speed mode off Dimmer speed mode 1 (fast) Dimmer speed mode 2 (medium) Dimmer speed mode 3 (slow)

Zones for DMX Control



Standalone Configuration

Set the product in one of the standalone modes to operate without a DMX controller.



Never connect a product that is operating in any standalone mode to a DMX string connected to a DMX controller. Products in standalone mode may transmit DMX signals that could interfere with the DMX signals from the controller.

Automatic Program

To run a program on the COLORband Q4 IP, follow the instructions below.

1. Press **<MENU>** repeatedly until **P--** shows on the display.
2. Press **<ENTER>**.
3. Use **<UP>** or **<DOWN>** to select an automatic program, from **P 1–11**.
4. Press **<ENTER>**.

Auto Program Speed

To adjust the auto program speed on the COLORband Q4 IP, do the following:

1. Press **<MENU>** repeatedly until **S--** shows on the display.
2. Use **<UP>** or **<DOWN>** to increase or decrease the program speed, from **S. 1–100**.
3. Press **<ENTER>**.

Static Color Mode

To run the COLORband Q4 IP on a static color, follow the instructions below.

1. Press **<MENU>** repeatedly until **C--** shows on the display.
2. Press **<ENTER>**.
3. Use **<UP>** or **<DOWN>** to select a static color, from **C 1–19**.
4. Press **<ENTER>**.

Custom Color Mixing

To mix a custom color on the COLORband Q4 IP, do the following:

1. Press **<MENU>** repeatedly until **u--** shows on the display.
2. Press **<ENTER>** and one of the following will show on the display:
 - **r. ___** (red)
 - **G. ___** (green)
 - **b. ___** (blue)
 - **A. ___** (amber)
3. Press **<ENTER>** to cycle through the options.
4. Use **<UP>** or **<DOWN>** to increase or decrease the selected value, from **0–255**.
5. Repeat steps 3 and 4 until the color is set as desired.

Dimmer

To set the dimmer value on the COLORband Q4 IP, follow the instructions below.

1. Press **<MENU>** repeatedly until **dim** shows on the display.
2. Press **<ENTER>**.
3. Use **<UP>** or **<DOWN>** to set the dimmer, from **dim1** (fast) to **dim3** (slow) or **OFF**.
4. Press **<ENTER>**.

Screen Lock

To lock/unlock the touchscreen on the COLORband Q4 IP, do the following:

1. Press **<MENU>** repeatedly until **Set** shows on the display. Press **<ENTER>**.
2. Use **<UP>** or **<DOWN>** to select **PASS**. Press **<ENTER>**.
3. Use **<UP>** or **<DOWN>** to select **on** (activates password protection to lock screen) or **oFF** (deactivates password protection to unlock screen).
4. Press **<ENTER>**.



Password: <UP>, <DOWN>, <UP>, <DOWN>, <ENTER>

Factory Reset

To reset the COLORband Q4 IP to default factory settings, follow the instructions below:

1. Press **<MENU>** repeatedly until **Set** shows on the display. Press **<ENTER>**.
2. Use **<UP>** or **<DOWN>** to select **rEst**. Press **<ENTER>**.
3. Use **<UP>** or **<DOWN>** to select **YES** (resets product to factory default) or **no** (keep current settings).
4. Press **<ENTER>**.

Master/Slave Mode

The Master/Slave mode allows a single COLORband Q4 IP product (the “master”) to control the actions of one or more COLORband Q4 IP products (the “slaves”) without the need of a DMX controller. The master product will be set to operate in standalone, while the slave products will be set to operate in Slave mode. Once set and connected, the slave products will operate in unison with the master product.

Configure the products as indicated below.

Slave products:

1. Press **<MENU>** repeatedly until **4CH**, **7CH**, **10CH**, **16CH**, or **22CH** shows on the display.
2. Press **<ENTER>**.
3. Set the DMX address to **d. 1**.
4. Connect the DMX input of the first slave product to the DMX output of the master product.
5. Connect the DMX input of the subsequent slave products to the DMX output of the previous slave product.
6. Finish setting and connecting all the slave products.

Master product:

1. Press **<MENU>** repeatedly to go to the desired function or program.
2. Press **<ENTER>**.
3. Set the master product to operate in standalone.
4. Make the master product the first product in the DMX daisy chain.



- **Configure all the slave products before connecting the master to the daisy chain.**
- **Never connect a DMX controller to a DMX string configured for Master/Slave operation because the controller may interfere with the signals from the master.**
- **Do not connect more than 15 slaves to the master.**

5. Maintenance

Product Maintenance

Dust build-up reduces light output performance and can cause overheating. This can lead to reduction of the light source's life and/or mechanical wear. To maintain optimum performance and minimize wear, clean all lighting products at least twice a month. However, be aware that usage and environmental conditions could be contributing factors to increase the cleaning frequency.

To clean the product, follow the instructions below:

1. Unplug the product from power.
2. Wait until the product is at room temperature.
3. Use a vacuum (or dry compressed air) and a soft brush to remove dust collected on the external surface/vents.
4. Clean all transparent surfaces with a mild soap solution, ammonia-free glass cleaner, or isopropyl alcohol.
5. Apply the solution directly to a soft, lint free cotton cloth or a lens cleaning tissue.
6. Softly drag any dirt or grime to the outside of the transparent surface.
7. Gently polish the transparent surfaces until they are free of haze and lint.



Always dry the transparent surfaces carefully after cleaning them.



Do not spin the cooling fans using compressed air because they could be damaged.

Torque Measurements

To maintain the IP rating when reassembling the product, use the given torque measurements for each of the following screws and bolts:

Fixture Parts	Torque Rating (Kgf.cm)
Screws inside feet	12.11
Base screws in middle	29.85
Front and rear base cover	21.76
Screws around power and data ports	6.68
Allen Key screws holding in front lens cover	21.82
Allen Key screws next to heat pipes on the back	19.56

Vacuum Test Measurements

Use the IP Tester from Chauvet Professional to ensure the product has been reassembled correctly by following the information below:

Parameters	Values
Method	Positive
Test pressure	15 kPa
Test duration	60 seconds
PASS state leak pressure	<0.02 kPa

6. Technical Specifications

Dimensions and Weight

Length	Width	Height	Weight
39.3 in (998 mm)	3.2 in (81 mm)	4.1 in (104 mm)	11.8 lb (5.35 kg)

Note: Dimensions in inches are rounded.

Power

Power Supply Type	Range	Voltage Selection
Switching (internal)	100 to 240 VAC, 50/60 Hz	Auto-ranging

Parameter	120 V, 60 Hz	230 V, 50 Hz
Consumption	87 W	86 W
Operating current	1.18 A	0.67 A
Power-linking current (products)	11.2 A (9 products)	11.2 A (16 products)
Fuse	T 3.15 A, 250 V	T 3.15 A, 250 V

Power I/O	U.S./Worldwide	UK/Europe
Power input connector	powerCON® TRUE1	powerCON® TRUE1
Power output connector	powerCON® TRUE1	powerCON® TRUE1
Power cord plug	Edison	Bare wire

Light Source

Type	Color	Quantity	Power	Current	Lifespan
LED	Quad-color RGBA	12	6 W	2.06 A	50,000 hours

Photometrics

Beam Angle	Field Angle	Illuminance @ 2 m	Illuminance @ 5 m
14°	27°	7,074 lux	1,209 lux

Thermal

Maximum External Temperature	Cooling System
104 °F (40 °C)	Convection

DMX

I/O Connector	Channel Range
3-pin XLR	4, 7, 10, 16, or 22 channels

Ordering

Product Name	Item Code	UPC Number
COLORband Q4 IP	10031864	781462222123



RoHS



Contact Us

General Information	Technical Support
Chauvet World Headquarters	
Address: 3360 Davie Rd., Suite 509 Davie, FL 33314 Voice: (954) 577-4455 Fax: (954) 929-5560 Toll Free: (800) 762-1084	Voice: (844) 393-7575 Fax: (954) 756-8015 Email: chauvetcs@chauvetlighting.com Website: www.chauvetdj.com
Chauvet U.K.	
Address: Pod 1 EVO Park Little Oak Drive, Sherwood Park Nottinghamshire, NG15 0EB UK Voice: +44 (0) 1773 511115 Fax: +44 (0) 1773 511110	Email: UKtech@chauvetlighting.eu Website: www.chauvetdj.eu
Chauvet Benelux	
Address: Stokstraat 18 9770 Kruishoutem Belgium Voice: +32 9 388 93 97	Email: BNLtech@chauvetlighting.eu Website: www.chauvetdj.eu
Chauvet France	
Address: 3, Rue Ampère 91380 Chilly-Mazarin France Voice: +33 1 78 85 33 59	Email: FRtech@chauvetlighting.fr Website: www.chauvetdj.eu
Chauvet Germany	
Address: Bruno-Bürgel-Str. 11 28759 Bremen Germany Voice: +49 421 62 60 20	Email: DEtech@chauvetlighting.de Website: www.chauvetdj.eu
Chauvet Mexico	
Address: Av. de las Partidas 34 - 3B (Entrance by Calle 2) Zona Industrial Lerma Lerma, Edo. de México, CP 52000 Voice: +52 (728) 690-2010	Email: servicio@chauvet.com.mx Website: www.chauvetdj.mx

Warranty & Returns

For warranty terms and conditions and return information, please visit our website.

For customers in the United States and Mexico: www.chauvetlighting.com/warranty-registration.

For customers in the United Kingdom, Republic of Ireland, Belgium, the Netherlands, Luxembourg, France, and Germany: www.chauvetlighting.eu/warranty-registration.