

INTIMIDATOR

SPOT 360X IP

User Manual



Edition Notes

The Intimidator Spot 360X IP User Manual includes a description, safety precautions, installation, programming, operation, and maintenance instructions for the Intimidator Spot 360X IP as of the release date of this edition.

Trademarks

Chauvet, Chauvet DJ, the Chauvet logo, and Intimidator are registered trademarks or trademarks of Chauvet & Sons, LLC (d/b/a Chauvet and Chauvet Lighting) in the United States and other countries. Other company and product names and logos referred to herein may be trademarks of their respective companies.

Copyright Notice

The works of authorship contained in this manual, including, but not limited to, all designs, text, and images are owned by Chauvet.

© Copyright 2024 Chauvet & Sons, LLC. All rights reserved.

Electronically published by Chauvet in the United States of America.

Manual Use

Chauvet authorizes its customers to download and print this manual for professional information purposes only. Chauvet expressly prohibits the usage, copy, storage, distribution, modification, or printing of this manual or its content for any other purpose without written consent from Chauvet.

Document Printing

For best results, print this document in color, on letter size paper (8.5 x 11 in), double-sided. If using A4 paper (210 x 297 mm), configure the printer to scale the content accordingly.

Intended Audience

Any person installing, operating, and/or maintaining this product should completely read through the guide that shipped with the product, as well as this manual, before installing, operating, or maintaining this product.

Disclaimer

Chauvet believes that the information contained in this manual is accurate in all respects. However, Chauvet assumes no responsibility and specifically disclaims any and all liability to any party for any loss, damage, or disruption caused by any errors or omissions in this document, whether such errors or omissions result from negligence, accident, or any other cause. Chauvet reserves the right to revise the content of this document without any obligation to notify any person or company of such revision; however, Chauvet has no obligation to make, and does not commit to make, any such revisions.

Document Revision

Go to www.chauvetdj.com for the latest version.

Revision	Date	Description
4	12/2024	Added torque and vacuum measurements chart

TABLE OF CONTENTS

1. Before You Begin	1
What Is Included	1
Unpacking Instructions	1
Claims	1
Text Conventions	1
Symbols	1
Safety Notes.....	2
2. Introduction	3
Product Overview	3
Product Dimensions	3
3. Setup	4
AC Power.....	4
Fuse Replacement	4
Power Linking.....	4
Mounting	5
Orientation.....	5
Rigging	5
4. Operation	6
Control Panel Operation.....	6
Menu Map	6
DMX Configuration	7
Starting Address	7
DMX Personalities.....	7
DMX Channel Assignments and Values	8
14CH / 08CH.....	8
Gobos	10
Standalone Configuration.....	10
Automatic Programs.....	10
Sound-Active Mode	10
Sound Sensitivity.....	10
Manual Mode.....	10
Configuration Settings.....	11
Pan Reverse.....	11
Tilt Reverse	11
Screen Reverse.....	11
Pan Angle.....	11
Tilt Angle	11
Totem Mode	11
USB Update	12
RF Bind	12
Reset.....	12
Factory Reset.....	12
System Information	12
Master/Slave Mode	13
Zero Adjust Mode	13
5. Maintenance.....	14
Product Maintenance	14
Torque Measurements	14
Vacuum Test Measurements	14
6. Technical Specifications	15
Contact Us	16
Warranty & Returns.....	16

1. Before You Begin

What Is Included

- Intimidator Spot 360X IP
- Hanging bracket
- Power cable
- Quick Reference Guide

Unpacking Instructions

Carefully unpack the product immediately and check the container to make sure all the parts are in the package and are in good condition.

Claims





If the box or the contents (the product and included accessories) appear damaged from shipping, or show signs of mishandling, notify the carrier immediately, not Chauvet. Failure to report damage to the carrier immediately may invalidate the claim. In addition, keep the box and contents for inspection.

For other issues, such as missing components or parts, damage not related to shipping, or concealed damage, file a claim with Chauvet within 7 days of delivery.

Text Conventions

Convention	Meaning
1–512	A range of values
50/60	A set of values of which only one can be chosen
Settings	A menu option not to be modified
<ENTER>	A key to be pressed on the product's control panel
ON	A value to be entered or selected

Symbols

Symbol	Meaning
	Electrical warning. Not following these instructions may cause electrical damage to the product, accessories, or the user.
	Critical installation, configuration, or operation information. Not following these instructions may make the product not work, cause damage to the product, or cause harm to the operator.
	Important installation or configuration information. The product may not function correctly if this information is not used.
	Useful information.

Safety Notes

These Safety Notes include important information about installation, use, and maintenance of the Intimidator Spot 360X IP.



■ **ALWAYS:**

- ◆ Connect to a grounded circuit.
- ◆ Connect to operating voltages as specified on the product's spec sticker.
- ◆ Disconnect from power before replacing the fuse.
- ◆ Disconnect from its power source during periods of inactivity.
- ◆ Use a safety cable when suspending overhead.
- ◆ Heed all restrictions and warnings on the spec sticker.
- ◆ Mount in a location with at least 20 in (50 cm) of ventilation.
- ◆ Replace the fuse with the same type and rating.
- ◆ Use a clamp with a captive bolt when a single hanging bracket is used.

- In the event of a serious operating problem, stop using immediately.

■ **DO NOT:**

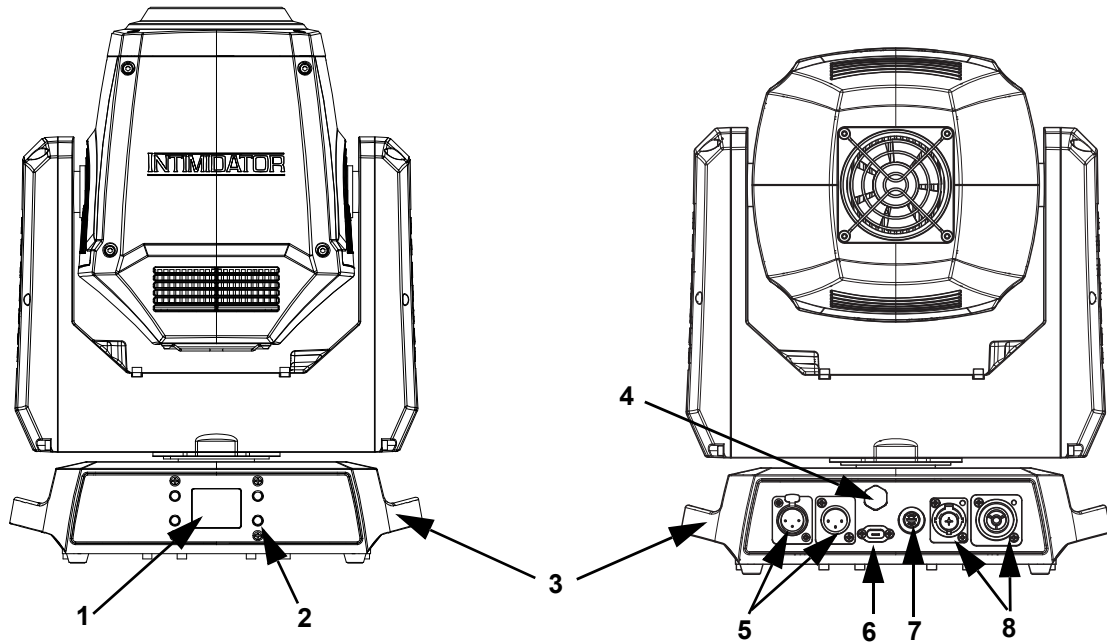
- ◆ Open this product or attempt any repairs. It contains no user-serviceable parts.
- ◆ Look at the light source when the product is on.
- ◆ Use if the power cable is crimped or damaged.
- ◆ Disconnect by pulling on the power cable.
- ◆ Allow flammable materials close to the product when it is operating.
- ◆ Touch the housing when it is on.
- ◆ Block any ventilation holes/slots in the housing.
- ◆ Connect to a dimmer or rheostat.
- ◆ Carry the product by its power cable.
- ◆ Operate in temperatures higher than 104°F (40°C).
- ◆ Expose to environments that exceed the Ingress Protection (IP) rating.
- ◆ Submerge.
- ◆ Leave outdoors for extended periods of time.
- ◆ Expose to corrosive environmental conditions such as temperature, humidity, salinity, pressure, radiation, or shock.
- ◆ Set this product on a flammable surface.



Keep this User Manual for future use. If the product is sold to someone else, be sure that they also receive this document.

2. Introduction

Product Overview

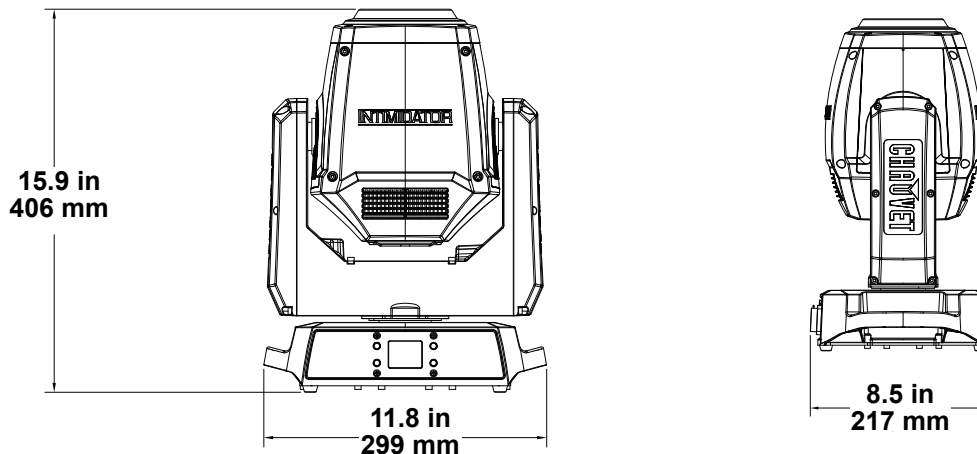


#	Name	#	Name
1	LED display	5	DMX in/out
2	Menu buttons	6	USB C port
3	Carry handle	7	Fuse holder
4	Humidity control valve	8	Power in/out



WARNING! DO NOT plug anything other than a data connection into the USB C port. Doing so may cause damage to the product.

Product Dimensions



3. Setup

AC Power

The Intimidator Spot 360X IP has an auto-ranging power supply and it can work with an input voltage range of 100 to 240 VAC, 50/60 Hz.

To determine the product's power requirements (circuit breaker, power outlet, and wiring), use the current value listed on the label affixed to the product's back panel, or refer to the product's specifications chart. The listed current rating indicates the product's average current draw under normal conditions.



- **Always connect the product to a protected circuit (a circuit breaker or fuse). Make sure the product has an appropriate electrical ground to avoid the risk of electrocution or fire.**
- **To eliminate unnecessary wear and improve its lifespan, during periods of non-use completely disconnect the product from power via breaker or by unplugging it.**



Never connect the product to a rheostat (variable resistor) or dimmer circuit, even if the rheostat or dimmer channel serves only as a 0 to 100% switch.

Fuse Replacement

1. Disconnect the product from power.
2. Using a flat-head screwdriver, unscrew the fuse holder cap from the housing.
3. Remove the blown fuse.
4. Replace with a fuse of the same type and rating.
5. Screw the fuse holder cap back in place and reconnect power.



Disconnect the product from the power outlet before replacing the fuse.

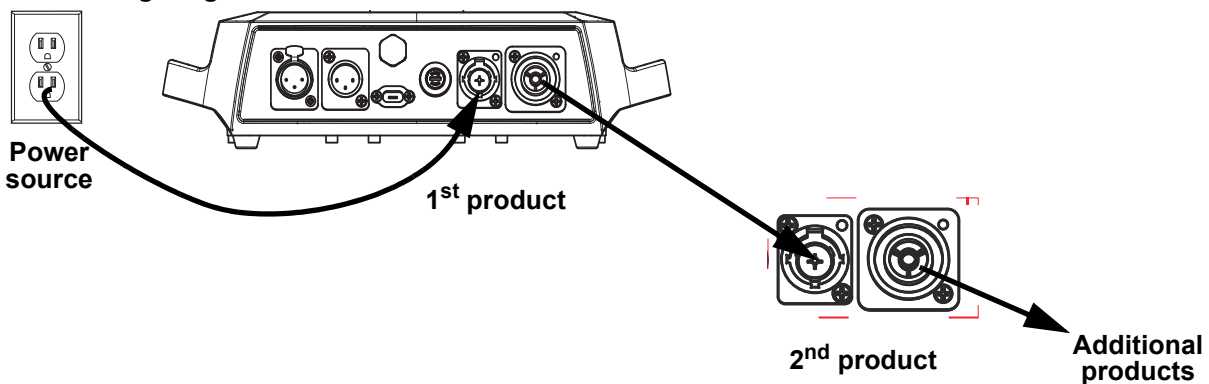


Always replace a blown fuse with one of the same type and rating.

Power Linking

The product provides power linking via the outlet located in the back of the product. See the diagram below for further explanation.

Power Linking Diagram



It is possible to power link up to 5 Intimidator Spot 360X IP products on 120 VAC or up to 9 Intimidator Spot 360X IP products on 230 VAC.



The power linking diagram corresponds to the North American version of the product ONLY! If using the product in other markets, consult with the local Chauvet distributor as power linking connectors and requirements may differ by country or region.

Mounting

Before mounting the product, read and follow the safety recommendations indicated in the [Safety Notes](#).

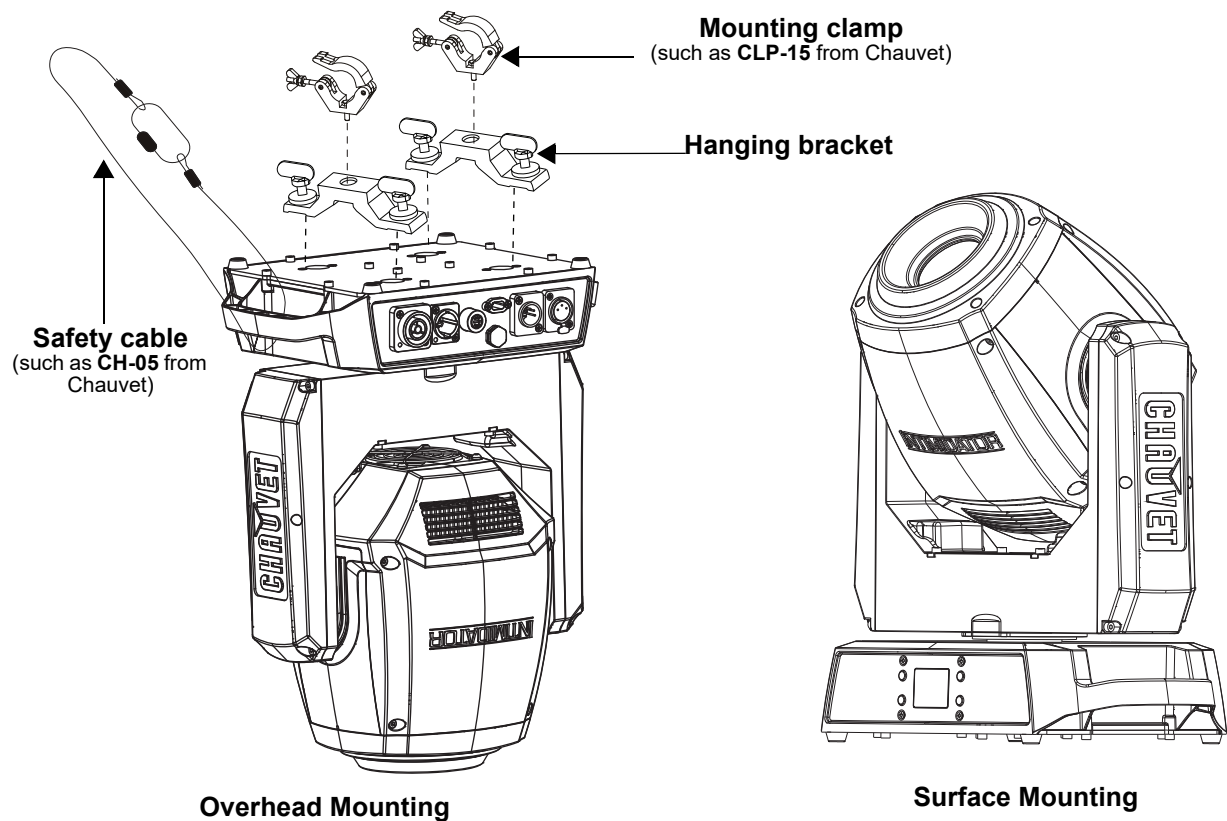
Orientation

The Intimidator Spot 360X IP may be mounted in any position; however, make sure adequate ventilation is provided around the product.

Rigging

- Before deciding on a location, always make sure there is easy access to the product for maintenance and programming.
- Make sure adequate ventilation is provided around the product.
- Make sure that the structure and attachment points can support the weight before hanging the product. (see the [Technical Specifications](#))
- When mounting the product overhead, always use a safety cable. Mount the product securely to a rigging point, such as an elevated platform or a truss.
- When rigging the product onto a truss, use a mounting clamp of appropriate weight capacity.
- When power linking multiple products, mount the products close enough for power linking cables to reach.
- When mounting the product on the floor, make sure that the product and cables are away from people and vehicles.

Mounting Diagram



4. Operation

Control Panel Operation

To access the control panel functions, use the four buttons located underneath the display. Please refer to the [Product Overview](#) to see the button locations on the control panel.

Button	Function
<MENU>	Press to find an operation mode or to back out of the current menu option
<UP>	Press to scroll up the list of options or to find a higher value
<DOWN>	Press to scroll down the list of options or to find a lower value
<ENTER>	Press to activate a menu option or a selected value

Menu Map

Refer to the Intimidator Spot 360X IP product page on www.chauvetdj.com for the latest menu map and software.

Main Level	Programming Levels		Description	
Address	001–512		Sets the DMX starting address	
Run Mode	DMX	14CH	Selects DMX mode	
		08CH		
	Slave	Slave1–4	Selects Slave mode 1, 2, 3, or 4	
	Auto		Selects Auto mode	
	Sound		Selects Sound-Active mode	
	RF	RF 1–4	Sets the product to work with the RFC-XL remote in group 1, 2, 3, or 4 (RF remote must be bound to the product first)	
		RFP		Sets the product to work with public RF signal
	Manual	Pan	000–255	Manual pan control
		Tilt		Manual tilt control
		Color		Manual color control
		Gobo		Manual rotating gobo control
		Gobo Rotate		Manual gobo rotation control
		Prism		Manual prism control
		Focus		Manual focus control
		Dimmer		Manual dimmer control
Shutter		Manual shutter control		
Setup	Pan Reverse	OFF	Normal pan operation	
		ON	Reverse pan operation	
	Tilt Reverse	OFF	Normal tilt operation	
		ON	Reverse tilt operation	
	Screen Reverse	AUTO	Automatic display orientation	
		NO	Normal display	
		YES	Reverse display	
	Pan Angle	540	Selects the 540° pan angle range	
		360	Selects the 360° pan angle range	
		180	Selects the 180° pan angle range	
	Tilt Angle	270	Selects the 270° tilt angle range	
		180	Selects the 180° tilt angle range	
		90	Selects the 90° tilt angle range	
	Totem Mode	OFF	Does not restrict the pan and tilt motion	
		UP	Restricts the pan and tilt motion for overhead mounting	
DOWN		Restricts the pan and tilt motion for surface/floor mounting		
Sensitivity	001–100	Sets sound sensitivity		

Main Level	Programming Levels		Description
Setup (cont.)	DMX Loss	Hold	Holds the last setting when signal is lost
		Black	Blacks out the product when signal is lost
		Auto	Sets the unit to Auto mode when signal is lost
		Sound	Sets the unit to Sound mode when signal is lost
	USB Update	NO	Enables/disables software update through USB-C
		YES	
	RF	BIND	Shows instructions on how to bind the RF remote to the product
Reset		Resets the product	
Factory Set		Loads factory defaults	
Sys Info	Ver:	V_	Displays the firmware version
	Running Mode:	----	Displays the current running mode
	DMX Address:	---	Displays the current DMX address
	Temperature:	---	Displays the current product temperature
	LED FAN:	----	Displays LED fan information
	Base Fan1:	----	Displays base fan information

DMX Configuration

The Intimidator Spot 360X IP works with a DMX controller. Information about DMX is in the Chauvet DMX Primer, which is available from the Chauvet website http://www.chauvetlighting.com/downloads/DMX_Primer_rev05_WO.pdf.

Starting Address

The Intimidator Spot 360X IP uses up to 14 DMX channels, which defines the highest configurable address to **499**.

When selecting a starting DMX address, always consider the number of DMX channels the selected DMX mode uses. If the starting address is set too high, access to some of the product's channels could be restricted.

For more information about the DMX protocol, download the DMX Primer from www.chauvetdj.com.

To select the starting address, do the following:

1. Press **<MENU>**.
2. Use **<UP>** or **<DOWN>** to select **Address**.
3. Press **<ENTER>**.
4. Use **<UP>** or **<DOWN>** to select the starting address, from **001–512**.
5. Press **<ENTER>**.

DMX Personalities

The Intimidator Spot 360X IP has two DMX personalities, a 14-channel personality, and a 08-channel personality.

To choose which DMX personality to use, follow the steps below:

1. Press **<MENU>**.
2. Use **<UP>** or **<DOWN>** to select **Run Mode**.
3. Press **<ENTER>**.
4. Use **<UP>** or **<DOWN>** to select **DMX**.
5. Press **<ENTER>**.
6. Use **<UP>** or **<DOWN>** to select the DMX personality, from **14CH** or **08CH**.
7. Press **<ENTER>**.

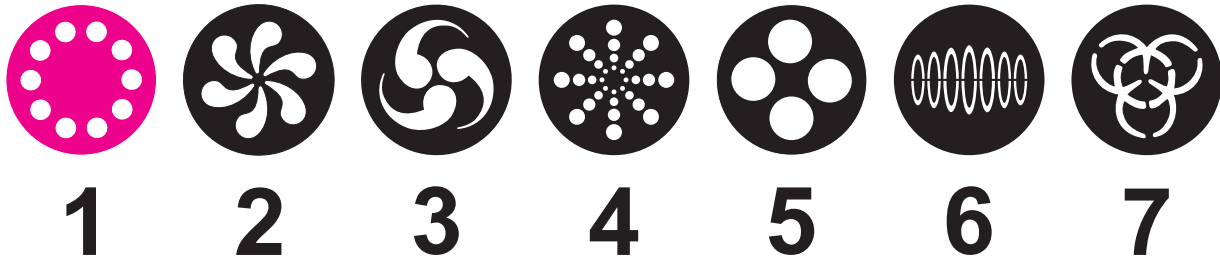
DMX Channel Assignments and Values

14CH / 08CH

08CH	14CH	Function	Value	Percent/Setting
1	1	Pan	000 ⇄ 255	0–540°
–	2	Pan fine	000 ⇄ 255	Fine control of panning
2	3	Tilt	000 ⇄ 255	0–270°
–	4	Tilt fine	000 ⇄ 255	Fine control of tilting
–	5	Pan/tilt speed	000 ⇄ 255	Pan/Tilt speed, fast to slow
3	6	Color wheel	000 ⇄ 006	White
			007 ⇄ 013	Red
			014 ⇄ 020	Orange
			021 ⇄ 027	Yellow
			028 ⇄ 034	Green
			035 ⇄ 041	Blue
			042 ⇄ 048	CTO
			049 ⇄ 055	Cyan
			056 ⇄ 062	Magenta
			063 ⇄ 064	White
			065 ⇄ 189	Color indexing
			190 ⇄ 221	Color cycling rainbow, fast to slow
			222 ⇄ 223	Stop
224 ⇄ 255	Reverse color cycling rainbow, slow to fast			
4	7	Gobo wheel (see Gobos)	000 ⇄ 007	Open
			008 ⇄ 015	Gobo 1
			016 ⇄ 023	Gobo 2
			024 ⇄ 031	Gobo 3
			032 ⇄ 039	Gobo 4
			040 ⇄ 047	Gobo 5
			048 ⇄ 055	Gobo 6
			056 ⇄ 063	Gobo 7
			064 ⇄ 071	Gobo 7 shake, slow to fast
			072 ⇄ 079	Gobo 6 shake, slow to fast
			080 ⇄ 087	Gobo 5 shake, slow to fast
			088 ⇄ 095	Gobo 4 shake, slow to fast
			096 ⇄ 103	Gobo 3 shake, slow to fast
			104 ⇄ 111	Gobo 2 shake, slow to fast
			112 ⇄ 119	Gobo 1 shake, slow to fast
			120 ⇄ 127	Open
			128 ⇄ 189	Cycle effect, slow to fast
			190 ⇄ 193	Stop
194 ⇄ 255	Reverse cycle effect, slow to fast			
5	8	Gobo rotation	000 ⇄ 063	Gobo indexing
			064 ⇄ 145	Gobo rotation, slow to fast
			146 ⇄ 149	Stop
			150 ⇄ 231	Reverse gobo rotation, slow to fast
			232 ⇄ 255	Gobo bounce, short to long, slow to fast
6	9	Prism	000 ⇄ 003	No function
			004 ⇄ 006	3-facet prism
			007 ⇄ 065	Prism rotation, slow to fast
			066 ⇄ 123	Reverse prism rotation, slow to fast
			124 ⇄ 127	3-facet prism
128 ⇄ 131	No function			

08CH	14CH	Function	Value	Percent/Setting
6 (cont.)	9 (cont.)	Prism (cont.)	132 ⇄ 134	5-facet prism
			135 ⇄ 193	Prism rotation, slow to fast
			194 ⇄ 251	Reverse prism rotation, slow to fast
			252 ⇄ 255	5-facet prism
7	10	Focus	000 ⇄ 255	Focus
–	11	Dimmer	000 ⇄ 255	0–100%
8	12	Strobe	000 ⇄ 003	Off
			004 ⇄ 007	On
			008 ⇄ 076	Strobe, slow to fast
			077 ⇄ 145	Pulse strobe, slow to fast
			146 ⇄ 215	Random strobe, slow to fast
			216 ⇄ 255	On
–	13	Function	000 ⇄ 007	No function
			008 ⇄ 015	Blackout on pan/tilt movement
			016 ⇄ 023	Blackout on color wheel movement
			024 ⇄ 031	Blackout on gobo wheel movement
			032 ⇄ 039	Blackout on pan/tilt/color wheel movement
			040 ⇄ 047	Blackout on pan/tilt/gobo wheel movement
			048 ⇄ 055	Blackout on pan/tilt/color wheel/gobo wheel movement
			056 ⇄ 095	No function
			096 ⇄ 103	Pan reset
			104 ⇄ 111	Tilt reset
			112 ⇄ 119	Color wheel reset
			120 ⇄ 127	Gobo wheel reset
			128 ⇄ 135	No function
			136 ⇄ 143	Prism reset
			144 ⇄ 151	Focus reset
152 ⇄ 159	All reset			
160 ⇄ 255	No function			
–	14	Movement macros	000 ⇄ 007	No function
			008 ⇄ 023	Movement macro 1
			024 ⇄ 039	Movement macro 2
			040 ⇄ 055	Movement macro 3
			056 ⇄ 071	Movement macro 4
			072 ⇄ 087	Movement macro 5
			088 ⇄ 103	Movement macro 6
			104 ⇄ 119	Movement macro 7
			120 ⇄ 135	Movement macro 8
			136 ⇄ 151	Sound-active movement macro 1
			152 ⇄ 167	Sound-active movement macro 2
			168 ⇄ 183	Sound-active movement macro 3
			184 ⇄ 199	Sound-active movement macro 4
			200 ⇄ 215	Sound-active movement macro 5
			216 ⇄ 231	Sound-active movement macro 6
232 ⇄ 247	Sound-active movement macro 7			
248 ⇄ 255	Sound-active movement macro 8			

Gobos



Standalone Configuration

Set the product in one of the standalone modes to control without a DMX controller.



Never connect a product that is operating in any standalone mode to a DMX string connected to a DMX controller. Products in standalone mode may transmit DMX signals that could interfere with the DMX signals from the controller.

Automatic Programs

To run the Intimidator Spot 360X IP in automatic mode, follow the instructions below:

1. Press **<MENU>**.
2. Use **<UP>** or **<DOWN>** to select **Run Mode**.
3. Press **<ENTER>**.
4. Use **<UP>** or **<DOWN>** to select **Auto**.
5. Press **<ENTER>**.

Sound-Active Mode

To run the Intimidator Spot 360X IP in sound-active mode, do the following:

1. Press **<MENU>**.
2. Use **<UP>** or **<DOWN>** to select **Run Mode**.
3. Press **<ENTER>**.
4. Use **<UP>** or **<DOWN>** to select **Sound**.
5. Press **<ENTER>**.

Sound Sensitivity

To set the sound sensitivity on the Intimidator Spot 360X IP, follow the instructions below:

1. Press **<MENU>**.
2. Use **<UP>** or **<DOWN>** to select **Setup**.
3. Press **<ENTER>**.
4. Use **<UP>** or **<DOWN>** to select **Sensitivity**.
5. Press **<ENTER>**.
6. Use **<UP>** or **<DOWN>** to increase or decrease the sound sensitivity, from **001–100**.
7. Press **<ENTER>**.



The product will only respond to low frequencies of music (bass and drums).

Manual Mode

To operate the Intimidator Spot 360X IP manually through the menu, do the following:

1. Press **<MENU>**.
2. Use **<UP>** or **<DOWN>** to select **Run Mode**.
3. Press **<ENTER>**.
4. Use **<UP>** or **<DOWN>** to select **Manual**.
5. Press **<ENTER>**.
6. Use **<UP>** or **<DOWN>** to select from **Pan, Tilt, Color, Gobo, Gobo Rotate, Prism, Focus, Dimmer, or Shutter**.
7. Press **<ENTER>**.
8. Use **<UP>** or **<DOWN>** to increase or decrease the value of the selected function, from **000–255**.
9. Press **<ENTER>**.
10. Repeat steps 6-9 until the product is set as desired.

Configuration Settings

Pan Reverse

To set the pan orientation on the Intimidator Spot 360X IP, follow the instructions below:

1. Press **<MENU>**.
2. Use **<UP>** or **<DOWN>** to select **Setup**.
3. Press **<ENTER>**.
4. Use **<UP>** or **<DOWN>** to select **Pan Reverse**.
5. Press **<ENTER>**.
6. Use **<UP>** or **<DOWN>** to select **OFF** (normal pan orientation) or **ON** (reverse pan orientation).
7. Press **<ENTER>**.

Tilt Reverse

To set the tilt orientation on the Intimidator Spot 360X IP, do the following:

1. Press **<MENU>**.
2. Use **<UP>** or **<DOWN>** to select **Setup**.
3. Press **<ENTER>**.
4. Use **<UP>** or **<DOWN>** to select **Tilt Reverse**.
5. Press **<ENTER>**.
6. Use **<UP>** or **<DOWN>** to select **OFF** (normal tilt orientation) or **ON** (reverse tilt orientation).
7. Press **<ENTER>**.

Screen Reverse

To set the display orientation on the Intimidator Spot 360X IP, follow the instructions below:

1. Press **<MENU>**.
2. Use **<UP>** or **<DOWN>** to select **Setup**.
3. Press **<ENTER>**.
4. Use **<UP>** or **<DOWN>** to select **Screen Reverse**.
5. Press **<ENTER>**.
6. Use **<UP>** or **<DOWN>** to select **AUTO**, **NO** (normal display orientation) or **YES** (reverse display orientation).
7. Press **<ENTER>**.

Pan Angle

To set the pan angle range on the Intimidator Spot 360X IP, do the following:

1. Press **<MENU>**.
2. Use **<UP>** or **<DOWN>** to select **Setup**.
3. Press **<ENTER>**.
4. Use **<UP>** or **<DOWN>** to select **Pan Angle**.
5. Press **<ENTER>**.
6. Use **<UP>** or **<DOWN>** to select from **540** (540°), **360** (360°), or **180** (180°).
7. Press **<ENTER>**.

Tilt Angle

To set the tilt angle range on the Intimidator Spot 360X IP, follow the instructions below:

1. Press **<MENU>**.
2. Use **<UP>** or **<DOWN>** to select **Setup**.
3. Press **<ENTER>**.
4. Use **<UP>** or **<DOWN>** to select **Tilt Angle**.
5. Press **<ENTER>**.
6. Use **<UP>** or **<DOWN>** to select from **260** (260°), **180** (180°), or **90** (90°).
7. Press **<ENTER>**.

Totem Mode

To activate the Totem mode, do the following:

1. Press **<MENU>**.
2. Use **<UP>** or **<DOWN>** to select **Setup**.
3. Press **<ENTER>**.
4. Use **<UP>** or **<DOWN>** to select **Totem Mode**.
5. Press **<ENTER>**.
6. Use **<UP>** or **<DOWN>** to select **OFF** (normal range of motion), **UP** (upward tilt range), or **DOWN** (downward tilt range).
7. Press **<ENTER>**.

Operation

USB Update

To enable or disable the USB update function, follow the instructions below:

1. Press **<MENU>**.
2. Use **<UP>** or **<DOWN>** to select **Setup**.
3. Press **<ENTER>**.
4. Use **<UP>** or **<DOWN>** to select **USB Update**.
5. Press **<ENTER>**.
6. Use **<UP>** or **<DOWN>** to select **NO** (disabled) or **YES** (enabled).
7. Press **<ENTER>**.

RF Bind

To view the RF Bind on the Intimidator Spot 360X IP, do the following:

1. Press **<MENU>**.
2. Use **<UP>** or **<DOWN>** to select **Setup**.
3. Press **<ENTER>**.
4. Use **<UP>** or **<DOWN>** to select **RF BIND**.
5. Press **<ENTER>**.
6. Follow the prompt on the screen.

Reset

To reset all functions on the Intimidator Spot 360X IP, do the following:

1. Press **<MENU>**.
2. Use **<UP>** or **<DOWN>** to select **Setup**.
3. Press **<ENTER>**.
4. Use **<UP>** or **<DOWN>** to select **Reset**.
5. Press **<ENTER>**.

Factory Reset

To restore the Intimidator Spot 360X IP to factory default settings, follow the instructions below:

1. Press **<MENU>**.
2. Use **<UP>** or **<DOWN>** to select **Setup**.
3. Press **<ENTER>**.
4. Use **<UP>** or **<DOWN>** to select **Factory Set**.
5. Press **<ENTER>**.

System Information

To view the system information on the Intimidator Spot 360X IP, do the following:

1. Press **<MENU>**.
2. Use **<UP>** or **<DOWN>** to select **Sys Info**.
3. Press **<ENTER>**.

Master/Slave Mode

The Master/Slave mode allows a single Intimidator Spot 360X IP product (the “master”) to control the actions of one or more Intimidator Spot 360X IP products (the “slaves”) without the need of a DMX controller. The master product will be set to operate in standalone mode, while the slave products will be set to operate in slave mode. Once set and connected, the slave products will operate in unison with the master product.

Configure the products as indicated below.

Slave products:

1. Press **<MENU>**.
2. Use **<UP>** or **<DOWN>** to select **Run Mode**.
3. Press **<ENTER>**.
4. Use **<UP>** or **<DOWN>** to select **Slave**.
5. Press **<ENTER>**.
6. Use **<UP>** or **<DOWN>** to select from **Slave1**, **Slave2**, **Slave3**, or **Slave4**.
 - Select **Slave1** for 100% synchronized actions.
 - Select **Slave2**, **Slave3**, and/or **Slave4** for delayed actions, creating a wave effect.
7. Press **<ENTER>**.
8. Connect the DMX input of the first slave product to the DMX output of the master product.
9. Connect the DMX input of the subsequent slave products to the DMX output of the previous slave product.
10. Finish setting and connecting all the slave products.

Master product:

1. Set the master product to operate in standalone mode.
2. Make the master product the first product in the DMX daisy chain.
 - **Configure all the slave products before connecting the master to the daisy chain.**
 - **Never connect a DMX controller to a DMX string configured for Master/Slave operation because the controller may interfere with the signals from the master.**
 - **Do not connect more than 31 slaves to the master.**



Zero Adjust Mode

The Intimidator Spot 360X IP contains a passcode protected mode which allows the user to calibrate and adjust several of the product’s operating parameters.

In order to access this mode, do the following:

1. Press and hold **<MENU>** for at least 3 seconds.
2. Use **<UP>** (increases the selected value) and **<DOWN>** (selects the next value) to enter the passcode: **2323**.
3. Press **<ENTER>**.

In this mode, the zero positions and levels for the following can be adjusted:

Parameter	Function
PAN	Pan motor position
TILT	Tilt motor position
COLOR	Color wheel position
GOBO	Gobo wheel position
GOBO ROTATE	Gobo rotation position
PRISM	3-facet prism position
PRISM1	5-facet prism position
FOCUS	Focus position
DIMMER	Dimmer value
RED	Red level
GREEN	Green level
BLUE	Blue level

To adjust the zero position or level of one of these parameters, follow the instructions below:

1. Access the Zero Adjust mode.
2. Use **<UP>** or **<DOWN>** to select the parameter to be adjusted.
3. Press **<ENTER>**.
4. Use **<UP>** or **<DOWN>** to increase or decrease the selected value, from **000–255**.
5. Press **<ENTER>**.

5. Maintenance

Product Maintenance

Dust build-up reduces light output performance and can cause overheating. This can lead to reduction of the light source's life and/or mechanical wear. To maintain optimum performance and minimize wear, clean the lighting products at least twice a month. However, be aware that usage and environmental conditions could be contributing factors to increase the cleaning frequency.

To clean the product, follow the instructions below:

1. Unplug the product from power.
2. Wait until the product is at room temperature.
3. Use a vacuum (or dry compressed air) and a soft brush to remove dust collected on the external surface/vents.
4. Clean all transparent surfaces with a mild soap solution, ammonia-free glass cleaner, or isopropyl alcohol.
5. Apply the solution directly to a soft, lint free cotton cloth or a lens cleaning tissue.
6. Softly drag any dirt or grime to the outside of the transparent surface.
7. Gently polish the transparent surfaces until they are free of haze and lint.



Always dry the transparent surfaces carefully after cleaning them.



Do not spin the cooling fans using compressed air because it they could be damaged.

Torque Measurements

To maintain the IP rating when reassembling the product, use the given torque measurements for each of the following screws and bolts:

Fixture Parts	Torque Rating (Kgf.cm)
Screws inside feet	9.18
Base screws around outside (not the feet)	15.3
Base screws in middle	15.3
Omega bracket holder	12.24
Front and rear base cover	9.18
Screws around power and data ports	3.57
Fuse	7.14
Center of yoke plate	15.3
Arm cover screws	15.3
Allen Key screws holding in front lens cover	12.24
Screws around fan cover	5.1
Allen Key screws head covers	18.35

Vacuum Test Measurements

To ensure that the product has been reassembled correctly, use the IP Tester from Chauvet Professional to check the following data has the given measurements for the given method:

Parameters	Values
Method	Using Chauvet IP Tester
Test pressure	0.316kPa/2.18psi
Test duration	60 sec
PASS state leak pressure	0.307kPa/2.12psi

6. Technical Specifications

Dimensions and Weight

Length	Width	Height	Weight
11.8 in (299 mm)	8.5 in (217 mm)	15.9 in (406 mm)	23 lb (10.4 kg)

Note: Dimensions in inches are rounded.

Power

Power Supply Type	Range	Voltage Selection
Switching (internal)	100 to 240 VAC, 50/60 Hz	Auto-ranging

Parameter	120 V, 60 Hz	230 V, 50 Hz
Consumption	190 W	185 W
Operating Current	2.4 A	1.4 A
Power linking current (products)	12 A (5 products)	12 A (9 products)
Fuse	F 5 A, 250 V	F 5 A, 250 V

Power I/O	U.S./Worldwide	UK/Europe
Power input connector	Seetronic IP65-compatible	Seetronic IP65-compatible
Power output connector	Seetronic IP65-compatible	Seetronic IP65-compatible
Power Cord plug	Edison (U.S.)	Local Plug

Light Source

Type	Color	Quantity	Power	Current	Lifespan
LED	Cool white	1	100 W	4.3 A	50,000 hours

Photometrics

Strobe Rate	Beam Angle	Illuminance @ 2 m	Illuminance @ 5 m
0 to 20 Hz	19°	23,978 lux	3,836 lux

Thermal

Maximum External Temperature	Cooling System
113 °F (22 °C)	Fan-assisted convection

DMX

I/O Connector	Channel Range
3-pin XLR	08 or 14

Ordering

Product Name	Item Code	UPC Number
Intimidator Spot 360X IP	08011988	781462223366



RoHS



Contact Us

General Information	Technical Support
Chauvet World Headquarters	
Address: 3360 Davie Rd., Suite 509 Davie, FL 33314 Voice: (954) 577-4455 Fax: (954) 929-5560 Toll Free: (800) 762-1084	Voice: (844) 393-7575 Fax: (954) 756-8015 Email: chauvetcs@chauvetlighting.com Website: www.chauvetdj.com
Chauvet U.K.	
Address: Pod 1 EVO Park Little Oak Drive, Sherwood Park Nottinghamshire, NG15 0EB UK Voice: +44 (0) 1773 511115 Fax: +44 (0) 1773 511110	Email: UKtech@chauvetlighting.eu Website: www.chauvetdj.eu
Chauvet Benelux	
Address: Stokstraat 18 9770 Kruishoutem Belgium Voice: +32 9 388 93 97	Email: BNLtech@chauvetlighting.eu Website: www.chauvetdj.eu
Chauvet France	
Address: 3, Rue Ampère 91380 Chilly-Mazarin France Voice: +33 1 78 85 33 59	Email: FRtech@chauvetlighting.fr Website: www.chauvetdj.eu
Chauvet Germany	
Address: Bruno-Bürger-Str. 11 28759 Bremen Germany Voice: +49 421 62 60 20	Email: DEtech@chauvetlighting.de Website: www.chauvetdj.eu
Chauvet Mexico	
Address: Av. de las Partidas 34 - 3B (Entrance by Calle 2) Zona Industrial Lerma Lerma, Edo. de México, CP 52000 Voice: +52 (728) 690-2010	Email: servicio@chauvet.com.mx Website: www.chauvetdj.mx

Warranty & Returns

For warranty terms and conditions and return information, please visit our website.

For customers in the United States and Mexico: www.chauvetlighting.com/warranty-registration.

For customers in the United Kingdom, Republic of Ireland, Belgium, the Netherlands, Luxembourg, France, and Germany: www.chauvetlighting.eu/warranty-registration.