

SHOCKER PANEL FX

User Manual



Edition Notes

The Shocker Panel FX User Manual includes a description, safety precautions, installation, programming, operation, and maintenance instructions for the Shocker Panel FX as of the release date of this edition.

Trademarks

Chauvet, Chauvet DJ, the Chauvet logo, and Shocker are registered trademarks or trademarks of Chauvet & Sons, LLC (d/b/a Chauvet and Chauvet Lighting) in the United States and other countries. Other company and product names and logos referred to herein may be trademarks of their respective companies.

Copyright Notice

The works of authorship contained in this manual, including, but not limited to, all designs, text, and images are owned by Chauvet.

© Copyright 2024 Chauvet & Sons, LLC. All rights reserved.

Electronically published by Chauvet in the United States of America.

Manual Use

Chauvet authorizes its customers to download and print this manual for professional information purposes only. Chauvet expressly prohibits the usage, copy, storage, distribution, modification, or printing of this manual or its content for any other purpose without written consent from Chauvet.

Document Printing

For best results, print this document in color, on letter size paper (8.5 x 11 in), double-sided. If using A4 paper (210 x 297 mm), configure the printer to scale the content accordingly.

Intended Audience

Any person installing, operating, and/or maintaining this product should completely read through the guide that shipped with the product, as well as this manual, before installing, operating, or maintaining this product.

Disclaimer

Chauvet believes that the information contained in this manual is accurate in all respects. However, Chauvet assumes no responsibility and specifically disclaims any and all liability to any party for any loss, damage, or disruption caused by any errors or omissions in this document, whether such errors or omissions result from negligence, accident, or any other cause. Chauvet reserves the right to revise the content of this document without any obligation to notify any person or company of such revision; however, Chauvet has no obligation to make, and does not commit to make, any such revisions.

Document Revision

Go to www.chauvetdj.com for the latest version.

Revision	Date	Description
2	08/2024	Corrected missing values in DMX charts/ added 5-pin DMX

TABLE OF CONTENTS

1. Before You Begin	1
What Is Included	1
Unpacking Instructions	1
Claims	1
Text Conventions	1
Symbols	1
Safety Notes	2
2. Introduction	3
Product Overview	3
Product Dimensions	4
3. Setup	5
AC Power	5
Fuse Replacement	5
Power Linking	5
Mounting	6
Orientation	6
Rigging	6
4. Operation	7
Control Panel Operation	7
Menu Map	7
DMX Configuration	8
Personality and Starting Address	8
47Ch / 34Ch / 18Ch	8
8Ch	14
Standalone Configuration	16
Static Colors	16
Automatic Programs	16
Automatic Speed	16
Dimmer	16
Dimmer Curve	16
DMX Loss	16
Sound-Active Mode	16
Sound Sensitivity	17
Custom Color Mixing	17
Wired Master/Slave Mode	17
5. Maintenance	18
Product Maintenance	18
6. Technical Specifications	19
Contact Us	20
Warranty & Returns	20

1. Before You Begin

What Is Included

- Shocker Panel FX
- Power cable
- Quick Reference Guide

Unpacking Instructions

Carefully unpack the product immediately and check the container to make sure all the parts are in the package and are in good condition.

Claims





If the box or the contents (the product and included accessories) appear damaged from shipping, or show signs of mishandling, notify the carrier immediately, not Chauvet. Failure to report damage to the carrier immediately may invalidate a claim. In addition, keep the box and contents for inspection.

For other issues, such as missing components or parts, damage not related to shipping, or concealed damage, file a claim with Chauvet within 7 days of delivery.

Text Conventions

Convention	Meaning
1–512	A range of values
50/60	A set of values of which only one can be chosen
Settings	A menu option not to be modified
<ENTER>	A key to be pressed on the product’s control panel
ON	A value to be entered or selected

Symbols

Symbol	Meaning
	Electrical warning. Not following these instructions may cause electrical damage to the product, accessories, or the user.
	Critical installation, configuration, or operation information. Not following these instructions may make the product not work, cause damage to the product, or cause harm to the operator.
	Important installation or configuration information. The product may not function correctly if this information is not used.
	Useful information.

Safety Notes

These Safety Notes include important information about installation, use, and maintenance of the Shocker Panel FX.



■ **ALWAYS:**

- ◆ Connect to a grounded circuit.
- ◆ Connect to operating voltages as specified on the product's spec sticker.
- ◆ Disconnect from power before replacing the fuse.
- ◆ Disconnect from its power source during periods of inactivity.
- ◆ Use a safety cable when suspending overhead.
- ◆ Heed all restrictions and warnings on the spec sticker.
- ◆ Mount in a location with at least 20 in (50 cm) of ventilation.
- ◆ Replace the fuse with the same type and rating.
- ◆ Use a clamp with a captive bolt when a single hanging bracket is used.

- In the event of a serious operating problem, stop using immediately.

■ **DO NOT:**

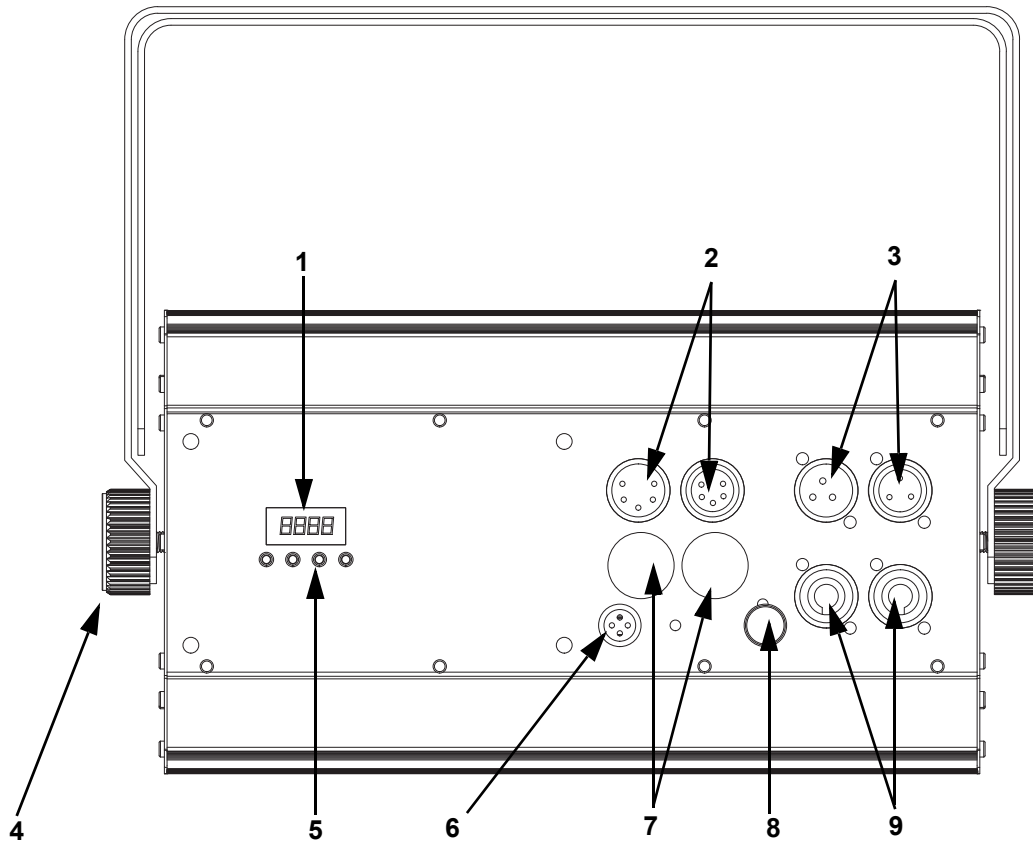
- ◆ Open this product or attempt any repairs. It contains no user-serviceable parts.
- ◆ Look at the light source when the product is on.
- ◆ Use if the power cord is crimped or damaged.
- ◆ Disconnect by pulling on the power cord.
- ◆ Allow flammable materials close to the product when it is operating.
- ◆ Block any ventilation holes/slots in the housing.
- ◆ Connect to a dimmer or rheostat.
- ◆ Carry the product by its power cord.
- ◆ Operate in temperatures higher than 104°F (40°C).
- ◆ Expose to environments that exceed the Ingress Protection (IP) rating.
- ◆ Expose to rain or moisture.
- ◆ Use outdoors.
- ◆ Leave outdoors for extended periods of time.
- ◆ Expose to corrosive environmental conditions such as temperature, humidity, salinity, pressure, radiation, or shock.
- ◆ Set this product on a flammable surface.



Keep this User Manual for future use. If the product is sold to someone else, be sure that they also receive this document.

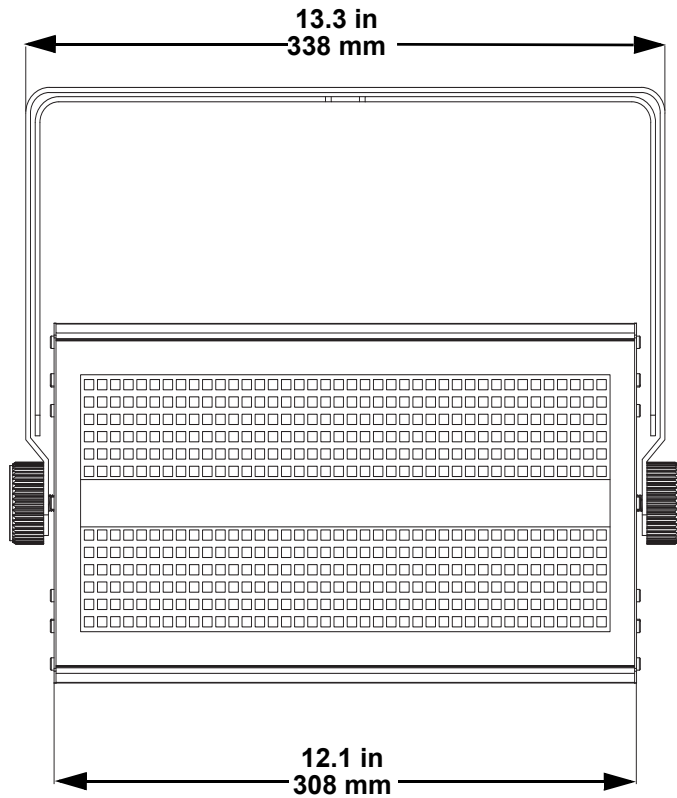
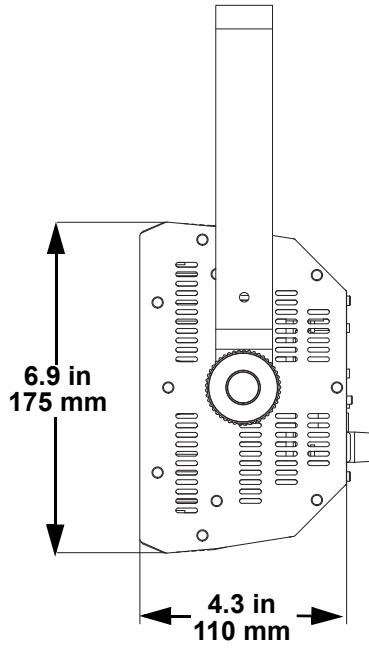
2. Introduction

Product Overview



#	Name	#	Name
1	LED display	6	Microphone
2	5-pin DMX in/ out	7	Safety cable pass-through
3	3-pin DMX in/ out	8	Fuse holder
4	Bracket adjustment knobs	9	Power in/out
5	Menu Buttons		

Product Dimensions



3. Setup

AC Power

The Shocker Panel FX has an auto-ranging power supply and it can work with an input voltage range of 100 to 240 VAC, 50/60 Hz.

To determine the product's power requirements (circuit breaker, power outlet, and wiring), use the current value listed on the label affixed to the product's back panel, or refer to the product's specifications chart. The listed current rating indicates the product's average current draw under normal conditions.



- **Always connect the product to a protected circuit (a circuit breaker or fuse). Make sure the product has an appropriate electrical ground to avoid the risk of electrocution or fire.**
- **To eliminate unnecessary wear and improve its lifespan, during periods of non-use completely disconnect the product from power via breaker or by unplugging it.**



Never connect the product to a rheostat (variable resistor) or dimmer circuit, even if the rheostat or dimmer channel serves only as a 0 to 100% switch.

Fuse Replacement

1. Disconnect the product from power.
2. Using a Phillips-head screwdriver, unscrew the fuse holder and pull it straight out.
3. Remove the blown fuse from the holder and replace with a fuse of the exact same type and rating.
4. Re-insert the fuse holder and reconnect power.



Disconnect the product from the power outlet before replacing the fuse.

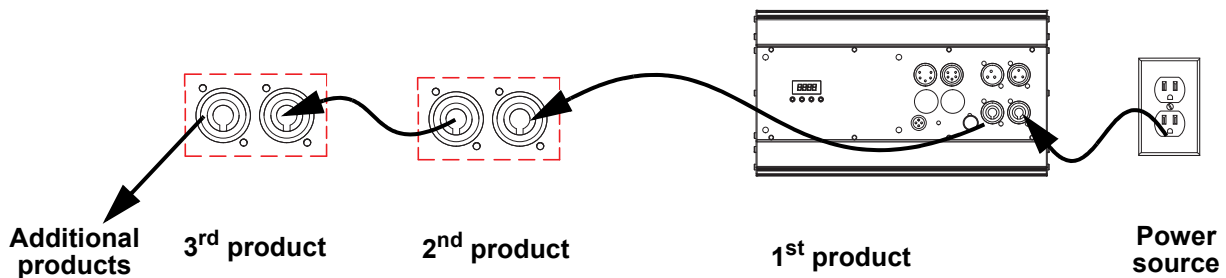


Always replace a blown fuse with one of the same type and rating.

Power Linking

This product provides power linking via the outlet located in the back of the product. See the diagram below for further explanation.

Power Linking Diagram



It is possible to link up to 5 Shocker Panel FX products on 120 VAC or up to 10 products on 230 VAC.



The power linking diagram shown above corresponds to the North American version of the product ONLY! If using the product in other markets, consult with the local Chauvet distributor as power linking connectors and requirements may differ by country or region.

Mounting

Before mounting the product, read and follow the safety recommendations indicated in the [Safety Notes](#).

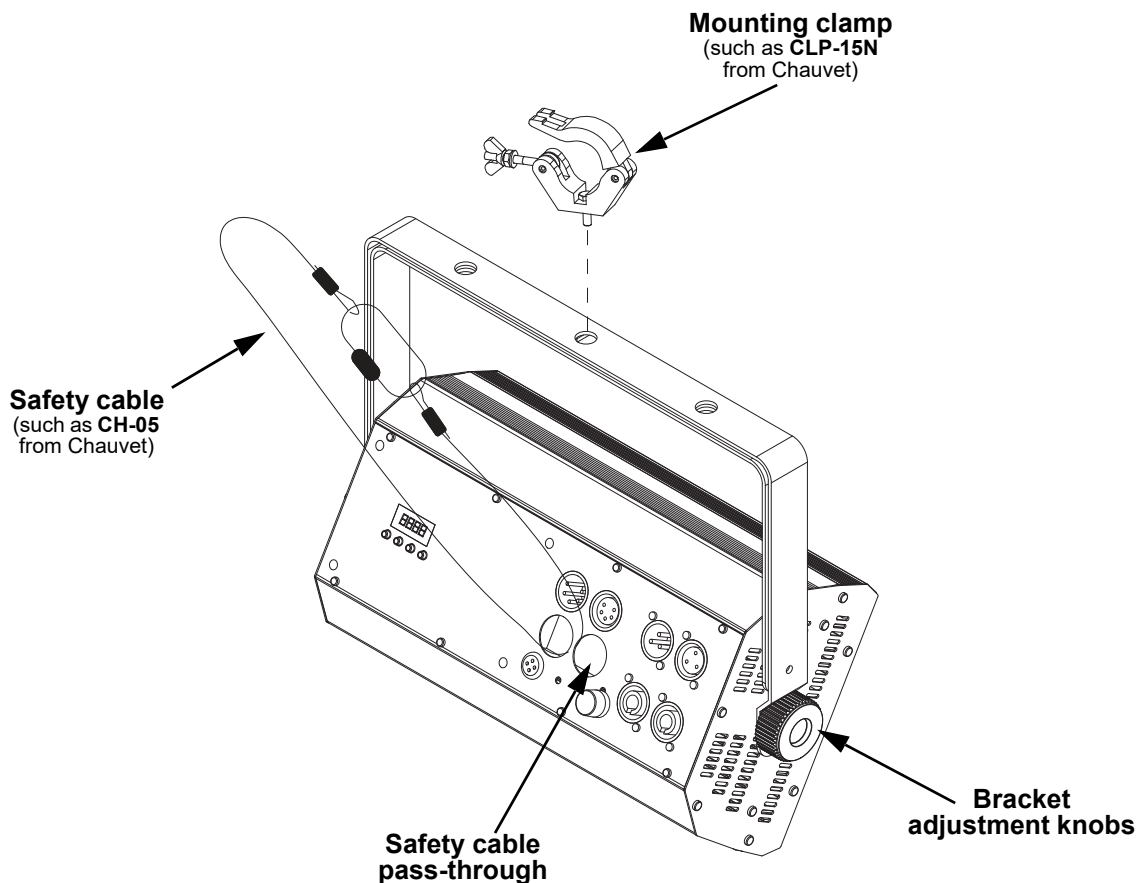
Orientation

The Shocker Panel FX may be mounted in any position; however, make sure adequate ventilation is provided around the product.

Rigging

- Before deciding on a location for the product, always make sure there is easy access to the product for maintenance and programming.
- Make sure that the structure and attachment points can support the weight before hanging the product (see the [Technical Specifications](#) section for weight information).
- When mounting the product overhead, always use a safety cable. Mount the product securely to a rigging point, such as an elevated platform or a truss.
- When rigging the product onto a truss, use a mounting clamp of appropriate weight capacity.
- The bracket adjustment knobs allow for directional adjustment when aiming the product to the desired angle. Only loosen or tighten the bracket knobs manually. Using tools could damage the knobs.
- When power linking multiple products, mount the products close enough for power linking cables to reach.
- When mounting the product on the floor, make sure that the product and cables are away from people and vehicles.

Mounting Diagram



To prevent accidental loosening when using a single mounting clamp, be sure to use a clamp with a captive bolt.

4. Operation

Control Panel Operation

To access the control panel functions, use the four buttons located underneath the display. Please refer to the [Product Overview](#) to see the button locations on the control panel.

Button	Function
<MENU>	Press to find an operation mode or to back out of the current menu option
<UP>	Press to scroll up the list of options or to find a higher value
<DOWN>	Press to scroll down the list of options or to find a lower value
<ENTER>	Press to activate a menu option or a selected value

Menu Map

Refer to the Shocker Panel FX product page on www.chauvetdj.com for the latest menu map.

Mode	Programming Levels		Description
DMX Mode	8Ch	d001–512	8-channel DMX mode
	18Ch		18-channel DMX mode
	34Ch		34-channel DMX mode
	47Ch		47-channel DMX mode
Static Colors	C--	C001–015	Static colors
Programs	P--	P 001–040	Automatic programs
Auto Speed	S--	S001–100	Program speed for P 1–40
Dimmer	dIn	L000-L255	Dimmer for P1-40
Dimmer Curve	dCur	oFF	Dimmer off
		Cur 1	Dimmer speed 1
		Cur 2	Dimmer speed 2
		Cur 3	Dimmer speed 3
DMX Loss	LoSS	hoLd	Holds the last setting when the signal is lost
		Auto	Sets the product to automatic mode when signal is lost
		Soun	Sets the product to sound mode when the signal is lost
		bLAC	Blacks out the product when signal is lost
Sound Mode	Snd	Sn00–Sn30	Sound-active program, slow down without sound
Sensitivity	SEnS	u001–100	Sets sound sensitivity
Custom Color Mixing	U--	r0–255	Custom static colors Combine red, green, blue, and white
		G0–255	
		b0–255	
		U0–255	

DMX Configuration

The Shocker Panel FX works with a DMX controller. Information about DMX is in the CHAUVET DMX Primer, which is available from the Chauvet website chauvetlighting.com/downloads/DMX_Primer_rev05_WO.pdf.

Personality and Starting Address

The Shocker Panel FX uses up to 47 DMX channels in the **47Ch** DMX mode, which defines the highest configurable address to **466**.

When selecting a starting DMX address, always consider the number of DMX channels the DMX mode uses. If the starting address is set too high, access to some channels could be restricted.

For information about the DMX protocol, download the DMX Primer from www.chauvetdj.com.

To select the personality and starting address, do the following:

1. Press **<MENU>** repeatedly until **8Ch**, **18Ch**, **34Ch**, or **47Ch** shows on the display.
2. Press **<ENTER>**.
3. Use **<UP>** or **<DOWN>** to select the starting address, from **d001–512**.
4. Press **<ENTER>**.

DMX Channel Assignments and Values

47Ch / 34Ch / 18Ch

18Ch	34Ch	47Ch	Function	Value	Percent/Setting
1	1	1	Master dimmer	000 ⇔ 255	0–100%
2	–	2	RGB dimmer	000 ⇔ 255	0–100%
3	–	–	Red	000 ⇔ 255	0–100%
4	–	–	Green	000 ⇔ 255	0–100%
5	–	–	Blue	000 ⇔ 255	0–100%
6	–	3	RGB strobe	000 ⇔ 005	No function
				006 ⇔ 255	RGB strobe, slow to fast
–	–	–	White	000 ⇔ 255	0–100%

18Ch	34Ch	47Ch	Function	Value	Percent/Setting
7	-	4	RGB program	000 ⇔ 005	No function
				006 ⇔ 012	Auto program 1
				013 ⇔ 018	Auto program 2
				019 ⇔ 025	Auto program 3
				026 ⇔ 031	Auto program 4
				032 ⇔ 038	Auto program 5
				039 ⇔ 044	Auto program 6
				045 ⇔ 050	Auto program 7
				051 ⇔ 057	Auto program 8
				058 ⇔ 063	Auto program 9
				064 ⇔ 070	Auto program 10
				071 ⇔ 076	Auto program 11
				077 ⇔ 082	Auto program 12
				083 ⇔ 089	Auto program 13
				090 ⇔ 095	Auto program 14
				096 ⇔ 102	Auto program 15
				103 ⇔ 108	Auto program 16
				109 ⇔ 114	Auto program 17
				115 ⇔ 121	Auto program 18
				122 ⇔ 127	Auto program 19
				128 ⇔ 134	Auto program 20
				135 ⇔ 140	Auto program 21
				141 ⇔ 147	Auto program 22
				148 ⇔ 153	Auto program 23
				154 ⇔ 159	Auto program 24
				160 ⇔ 166	Auto program 25
				167 ⇔ 172	Auto program 26
				173 ⇔ 179	Auto program 27
				180 ⇔ 185	Auto program 28
				186 ⇔ 191	Auto program 29
				192 ⇔ 198	Auto program 30
				199 ⇔ 204	Auto program 31
				205 ⇔ 211	Auto program 32
				212 ⇔ 217	Auto program 33
				218 ⇔ 223	Auto program 34
				224 ⇔ 230	Auto program 35
				231 ⇔ 236	Auto program 36
				237 ⇔ 243	Auto program 37
				244 ⇔ 249	Auto program 38
250 ⇔ 255	Auto program 39				
8	-	5	RGB program speed (When Ch. 7 or 4 are 006 ⇔ 255)	000 ⇔ 255	RGB program speed, slow to fast
9	-	6	Color macro (When Ch. 7 or 4 are 006 ⇔ 255)	000 ⇔ 005	No function
				006 ⇔ 255	Mixed colors

Operation



18Ch	34Ch	47Ch	Function	Value	Percent/Setting
10	-	7	Background color (When Ch. 7 or 4 are 006 ⇔ 255)	000 ⇔ 005	No function
				006 ⇔ 255	mixed colors
11	-	8	Background color dimmer	000 ⇔ 255	100-0%
12	-	9	White dimmer	000 ⇔ 001	No function
				002 ⇔ 255	0-100%
13	-	10	White strobe	000 ⇔ 005	No function
				006 ⇔ 255	White strobe, slow to fast
14	-	11	White program	000 ⇔ 005	No function
				006 ⇔ 014	Auto program 1
				015 ⇔ 022	Auto program 2
				023 ⇔ 030	Auto program 3
				031 ⇔ 039	Auto program 4
				040 ⇔ 047	Auto program 5
				048 ⇔ 055	Auto program 6
				056 ⇔ 064	Auto program 7
				065 ⇔ 072	Auto program 8
				073 ⇔ 080	Auto program 9
				081 ⇔ 089	Auto program 10
				090 ⇔ 097	Auto program 11
				098 ⇔ 105	Auto program 12
				106 ⇔ 114	Auto program 13
				115 ⇔ 122	Auto program 14
				123 ⇔ 130	Auto program 15
				131 ⇔ 139	Auto program 16
				140 ⇔ 147	Auto program 17
				148 ⇔ 155	Auto program 18
				156 ⇔ 164	Auto program 19
165 ⇔ 172	Auto program 20				
173 ⇔ 180	Auto program 21				
181 ⇔ 189	Auto program 22				
190 ⇔ 197	Auto program 23				
198 ⇔ 205	Auto program 24				
206 ⇔ 214	Auto program 25				
215 ⇔ 222	Auto program 26				
223 ⇔ 230	Auto program 27				
231 ⇔ 239	Auto program 28				
240 ⇔ 247	Auto program 29				
248 ⇔ 255	Auto Program 30				
15	-	12	White program speed (When Ch. 14 or 11 are 006 ⇔ 255)	000 ⇔ 255	White program speed, slow to fast

18Ch	34Ch	47Ch	Function	Value	Percent/Setting
16	-	13	RGBW program	000 ⇔ 005	No function
				006 ⇔ 012	Auto program 1
				013 ⇔ 018	Auto program 2
				019 ⇔ 025	Auto program 3
				026 ⇔ 031	Auto program 4
				032 ⇔ 038	Auto program 5
				039 ⇔ 044	Auto program 6
				045 ⇔ 050	Auto program 7
				051 ⇔ 057	Auto program 8
				058 ⇔ 063	Auto program 9
				064 ⇔ 070	Auto program 10
				071 ⇔ 076	Auto program 11
				077 ⇔ 082	Auto program 12
				083 ⇔ 089	Auto program 13
				090 ⇔ 095	Auto program 14
				096 ⇔ 102	Auto program 15
				103 ⇔ 108	Auto program 16
				109 ⇔ 114	Auto program 17
				115 ⇔ 121	Auto program 18
				122 ⇔ 127	Auto program 19
				128 ⇔ 134	Auto program 20
				135 ⇔ 140	Auto program 21
				141 ⇔ 147	Auto program 22
				148 ⇔ 153	Auto program 23
				154 ⇔ 159	Auto program 24
				160 ⇔ 166	Auto program 25
				167 ⇔ 172	Auto program 26
				173 ⇔ 179	Auto program 27
				180 ⇔ 185	Auto program 28
				186 ⇔ 191	Auto program 29
				192 ⇔ 198	Auto program 30
				199 ⇔ 204	Auto program 31
				205 ⇔ 211	Auto program 32
				212 ⇔ 217	Auto program 33
				218 ⇔ 223	Auto program 34
				224 ⇔ 230	Auto program 35
				231 ⇔ 236	Auto program 36
				237 ⇔ 243	Auto program 37
				244 ⇔ 249	Auto program 38
250 ⇔ 255	Auto program 39				
17	-	14	RGBW program speed (When Ch. 7, 16, or 13 are 006⇔255)	000 ⇔ 255	RGBW program speed, slow to fast
-	2	15	Red 1	000 ⇔ 001	No function
				002 ⇔ 255	0–100%
-	3	16	Green 1	000 ⇔ 001	No function
				002 ⇔ 255	0–100%

Operation



18Ch	34Ch	47Ch	Function	Value	Percent/Setting
-	4	17	Blue 1	000 ⇄ 001	No function
				002 ⇄ 255	0-100%
-	5	18	Red 2	000 ⇄ 001	No function
				002 ⇄ 255	0-100%
-	6	19	Green 2	000 ⇄ 001	No function
				002 ⇄ 255	0-100%
-	7	20	Blue 2	000 ⇄ 001	No function
				002 ⇄ 255	0-100%
-	8	21	Red 3	000 ⇄ 001	No function
				002 ⇄ 255	0-100%
-	9	22	Green 3	000 ⇄ 001	No function
				002 ⇄ 255	0-100%
-	10	23	Blue 3	000 ⇄ 001	No function
				002 ⇄ 255	0-100%
-	11	24	Red 4	000 ⇄ 001	No function
				002 ⇄ 255	0-100%
-	12	25	Green 4	000 ⇄ 001	No function
				002 ⇄ 255	0-100%
-	13	26	Blue 4	000 ⇄ 001	No function
				002 ⇄ 255	0-100%
-	14	27	Red 5	000 ⇄ 001	No function
				002 ⇄ 255	0-100%
-	15	28	Green 5	000 ⇄ 001	No function
				002 ⇄ 255	0-100%
-	16	29	Blue 5	000 ⇄ 001	No function
				002 ⇄ 255	0-100%
-	17	30	Red 6	000 ⇄ 001	No function
				002 ⇄ 255	0-100%
-	18	31	Green 6	000 ⇄ 001	No function
				002 ⇄ 255	0-100%
-	19	32	Blue 6	000 ⇄ 001	No function
				002 ⇄ 255	0-100%
-	20	33	Red 7	000 ⇄ 001	No function
				002 ⇄ 255	0-100%
-	21	34	Green 7	000 ⇄ 001	No function
				002 ⇄ 255	0-100%
-	22	35	Blue 7	000 ⇄ 001	No function
				002 ⇄ 255	0-100%
-	23	36	Red 8	000 ⇄ 001	No function
				002 ⇄ 255	0-100%
-	24	37	Green 8	000 ⇄ 001	No function
				002 ⇄ 255	0-100%
-	25	38	Blue 8	000 ⇄ 001	No function
				002 ⇄ 255	0-100%
-	26	39	White 1	000 ⇄ 005	No function
				006 ⇄ 255	0-100%

18Ch	34Ch	47Ch	Function	Value	Percent/Setting
-	27	40	White 2	000 ⇔ 005	No function
				006 ⇔ 255	0-100%
-	28	41	White 3	000 ⇔ 005	No function
				006 ⇔ 255	0-100%
-	29	42	White 4	000 ⇔ 005	No function
				006 ⇔ 255	0-100%
-	30	43	White 5	000 ⇔ 005	No function
				006 ⇔ 255	0-100%
-	31	44	White 6	000 ⇔ 005	No function
				006 ⇔ 255	0-100%
-	32	45	White 7	000 ⇔ 005	No function
				006 ⇔ 255	0-100%
-	33	46	White 8	000 ⇔ 005	No function
				006 ⇔ 255	0-100%
18	34	47	Mode	000 ⇔ 025	Dim Curve Off
				026 ⇔ 050	Dim Curve 1
				051 ⇔ 075	Dim Curve 2
				076 ⇔ 100	Dim Curve 3
				101 ⇔ 125	Dim set by unit display
				126 ⇔ 150	RESET Fixture
				155 ⇔ 255	No function

Operation

8Ch

Channel	Function	Value	Percent/Setting
1	Master dimmer	000 ⇔ 255	0–100%
2	RGB Strobe	000 ⇔ 005	No function
		006 ⇔ 255	RGB strobe, slow to fast
3	Red	000 ⇔ 255	0–100%
4	Green	000 ⇔ 255	0–100%
5	Blue	000 ⇔ 255	0–100%
6	White	000 ⇔ 001	No function
		002 ⇔ 255	0–100%

Channel	Function	Value	Percent/Setting
7	RGBW program	000 ⇔ 005	No function
		006 ⇔ 012	Auto program 1
		013 ⇔ 018	Auto program 2
		019 ⇔ 025	Auto program 3
		026 ⇔ 031	Auto program 4
		032 ⇔ 038	Auto program 5
		039 ⇔ 044	Auto program 6
		045 ⇔ 050	Auto program 7
		051 ⇔ 057	Auto program 8
		058 ⇔ 063	Auto program 9
		064 ⇔ 070	Auto program 10
		071 ⇔ 076	Auto program 11
		077 ⇔ 082	Auto program 12
		083 ⇔ 089	Auto program 13
		090 ⇔ 095	Auto program 14
		096 ⇔ 102	Auto program 15
		103 ⇔ 108	Auto program 16
		109 ⇔ 114	Auto program 17
		115 ⇔ 121	Auto program 18
		122 ⇔ 127	Auto program 19
		128 ⇔ 134	Auto program 20
		135 ⇔ 140	Auto program 21
		141 ⇔ 147	Auto program 22
		148 ⇔ 153	Auto program 23
		154 ⇔ 159	Auto program 24
		160 ⇔ 166	Auto program 25
		167 ⇔ 172	Auto program 26
		173 ⇔ 179	Auto program 27
		180 ⇔ 185	Auto program 28
		186 ⇔ 191	Auto program 29
		192 ⇔ 198	Auto program 30
		199 ⇔ 204	Auto program 31
		205 ⇔ 211	Auto program 32
		212 ⇔ 217	Auto program 33
		218 ⇔ 223	Auto program 34
		224 ⇔ 230	Auto program 35
		231 ⇔ 236	Auto program 36
		237 ⇔ 243	Auto program 37
		244 ⇔ 249	Auto program 38
250 ⇔ 255	Auto program 39		
8	RGBW program speed (When Ch. 7 is 006 ⇔ 255)	000 ⇔ 255	RGBW program speed, slow to fast

Standalone Configuration

Set the product in one of the standalone modes to operate without a DMX controller.



Never connect a product that is operating in any standalone mode to a DMX string connected to a DMX controller. Products in standalone mode may transmit DMX signals that could interfere with the DMX signals from the controller.

Static Colors

To run the Shocker Panel FX in Preset Color mode, follow the instructions below:

1. Press **<MENU>** repeatedly until **C--** shows on the display.
2. Press **<ENTER>**.
3. Use **<UP>** or **<DOWN>** to select **C001-015**.
4. Press **<ENTER>**.

Automatic Programs

To run the Shocker Panel FX in Automatic mode, follow the instructions below:

1. Press **<MENU>** repeatedly until **P--** shows on the display.
2. Press **<ENTER>**.
3. Use **<UP>** or **<DOWN>** to select **P001-040**.
4. Press **<ENTER>**.

Automatic Speed

To set the program speed, follow the instructions below:

1. Press **<MENU>** repeatedly until **S--** shows on the display.
2. Press **<ENTER>**.
3. Use **<UP>** or **<DOWN>** to increase or decrease the program speed, from **S001-100**.
4. Press **<ENTER>**.

Dimmer

To adjust the dimmer, follow the instructions below:

1. Press **<MENU>** repeatedly until **dIn** shows on the display.
2. Press **<ENTER>**.
3. Use **<UP>** or **<DOWN>** to increase or decrease the dimmer, from **L000-L255**.
4. Press **<ENTER>**.

Dimmer Curve

To adjust the dimmer speed on the Shocker Panel FX, follow the instructions below:

1. Press **<MENU>** repeatedly until **dCur** shows on the display.
2. Press **<ENTER>**.
3. Use **<UP>** or **<DOWN>** to select **oFF**, **Cur1**, **Cur2**, or **Cur3**.
4. Press **<ENTER>**.

DMX Loss

To set the DMX Loss mode on the Shocker Panel FX, follow the instructions below:

1. Press **<MENU>** repeatedly until **LoSS** shows on the display.
2. Press **<ENTER>**.
3. Use **<UP>** or **<DOWN>** to select how the product responds when no sound is detected, from **hoLd** (holds the last setting), **Auto** (sets the unit to auto mode), **Soun** (sets the unit to sound mode), or **bLAC** (blacks out the product).
4. Press **<ENTER>**.

Sound-Active Mode

To run the Shocker Panel FX in sound-active mode, follow the instructions below.

1. Press **<MENU>** repeatedly until **Snd** shows on the display.
2. Press **<ENTER>**.
3. Press **<UP>** or **<DOWN>** to select from **Sn00-Sn30**.
4. Press **<ENTER>**.

Sound Sensitivity

To set the sound sensitivity of the product, do the following:

1. Press **<MENU>** repeatedly until **SEnS** shows on the display.
2. Press **<ENTER>**.
3. Use **<UP>** or **<DOWN>** to increase or decrease the sound sensitivity, from **U001–100**.
4. Press **<ENTER>**.

Custom Color Mixing

To run the Shocker Panel FX with a custom static color, follow the instructions below.

1. Press **<MENU>** repeatedly until **U--** shows on the display.
2. Press **<ENTER>**.
3. Press **<ENTER>** to cycle through options, **r_ _ _** (red), **G_ _ _** (green), **b_ _ _** (blue), and **U_ _ _** (white).
4. Use **<UP>** or **<DOWN>** to increase or decrease the selected value from **0–255**.
5. Repeat steps 3-4 until the product output is set as desired.

Wired Master/Slave Mode

The Master/Slave mode allows a single Shocker Panel FX product (the “master”) to control the actions of one or more Shocker Panel FX products (the “slaves”) without the need of a DMX controller. The master product will be set to operate in either standalone mode or with the IRC-6, while the slave products will be set to operate in slave mode. Once set and connected, the slave products will operate in unison with the master product.

Configure the products as indicated below.

Slave products:

1. Press **<MENU>** repeatedly until **8Ch** shows on the display.
2. Press **<ENTER>**.
3. Use **<UP>** or **<DOWN>** to set the starting address to **d001**.
4. Press **<ENTER>**.
5. Connect the DMX input of the first slave product to the DMX output of the master product.
6. Connect the DMX input of the subsequent slave products to the DMX output of the previous slave product.
7. Finish setting and connecting all the slave products.

Master product:

1. Set the master product to operate in standalone mode or with the IRC-6.
2. Make the master product the first product in the DMX daisy chain.



- **Configure all the slave products before connecting the master to the daisy chain.**
- **Never connect a DMX controller to a DMX string configured for Master/Slave operation because the controller may interfere with the signals from the master.**
- **Do not connect more than 31 slaves to the master.**

5. Maintenance

Product Maintenance

Dust build-up reduces light output performance and can cause overheating. This can lead to reduction of the light source's life and/or mechanical wear. To maintain optimum performance and minimize wear, clean all lighting products at least twice a month. However, be aware that usage and environmental conditions could be contributing factors to increase the cleaning frequency.

To clean the product, follow the instructions below:

1. Unplug the product from power.
2. Wait until the product is at room temperature.
3. Use a vacuum (or dry compressed air) and a soft brush to remove dust collected on the external surface/vents.
4. Clean all transparent surfaces with a mild soap solution, ammonia-free glass cleaner, or isopropyl alcohol.
5. Apply the solution directly to a soft, lint free cotton cloth or a lens cleaning tissue.
6. Softly drag any dirt or grime to the outside of the transparent surface.
7. Gently polish the transparent surfaces until they are free of haze and lint.



Always dry the transparent surfaces carefully after cleaning them.

6. Technical Specifications

Dimensions and Weight

Length	Width	Height	Weight
12.63 in (310 mm)	4.3 in (110 mm)	6.7 in (170 mm)	8.6 lb (3.9 kg)

Note: Dimensions in inches are rounded.

Power

Power Supply Type	Range	Voltage Selection
Switching (internal)	100 to 240 VAC, 50/60 Hz	Auto-ranging

Parameter	120 V, 60 Hz	230 V, 50 Hz
Consumption	296 W	281 W
Operating Current	2.5 A	1.3 A
Power linking current (products)	8 A (5 products)	8 A (10 products)
Fuse	F3 A, 250 V	F3 A, 250 V

Power I/O	U.S./Worldwide	UK/Europe
Power input connector	IEC	IEC
Power output connector	Edison	IEC
Power cable plug	Edison (U.S.)	Local Plug

Light Source

Type	Color	Quantity	Power	Current	Lifespan
LED	Tri-color (RGB)	480	2 W	1 A	50,000 hours

Type	Color	Quantity	Power	Current	Lifespan
LED	Cool white	32	1.1 W	0.4 A	50,000 hours

Photometrics

Strobe Rate	Beam Angle	Field Angle	Illuminance	Lumens
0 to 20 Hz	119°	158°	1,131° lux @ 2m	13,626

Thermal

Maximum External Temperature	Cooling System
104 °F (40 °C)	Convection

DMX

I/O Connector	Channel Range
3-pin and 5-pin XLR	8, 18, 34, or 47

Ordering

Product Name	Item Code	UPC Number
Shocker Panel FX	07052191	781462225223



Contact Us

General Information	Technical Support
Chauvet World Headquarters	
Address: 3360 Davie Rd., Suite 509 Davie, FL 33314 Voice: (954) 577-4455 Fax: (954) 929-5560 Toll Free: (800) 762-1084	Voice: (844) 393-7575 Fax: (954) 756-8015 Email: chauvetcs@chauvetlighting.com Website: www.chauvetdj.com
Chauvet U.K.	
Address: Pod 1 EVO Park Little Oak Drive, Sherwood Park Nottinghamshire, NG15 0EB UK Voice: +44 (0) 1773 511115 Fax: +44 (0) 1773 511110	Email: UKtech@chauvetlighting.eu Website: www.chauvetdj.eu
Chauvet Benelux	
Address: Stokstraat 18 9770 Kruishoutem Belgium Voice: +32 9 388 93 97	Email: BNLtech@chauvetlighting.eu Website: www.chauvetdj.eu
Chauvet France	
Address: 3, Rue Ampère 91380 Chilly-Mazarin France Voice: +33 1 78 85 33 59	Email: FRtech@chauvetlighting.fr Website: www.chauvetdj.eu
Chauvet Germany	
Address: Bruno-Bürgel-Str. 11 28759 Bremen Germany Voice: +49 421 62 60 20	Email: DEtech@chauvetlighting.de Website: www.chauvetdj.eu
Chauvet Mexico	
Address: Av. de las Partidas 34 - 3B (Entrance by Calle 2) Zona Industrial Lerma Lerma, Edo. de México, CP 52000 Voice: +52 (728) 690-2010	Email: servicio@chauvet.com.mx Website: www.chauvetdj.mx

Warranty & Returns

For warranty terms and conditions and return information, please visit our website.

For customers in the United States and Mexico: www.chauvetlighting.com/warranty-registration.

For customers in the United Kingdom, Republic of Ireland, Belgium, the Netherlands, Luxembourg, France, and Germany: www.chauvetlighting.eu/warranty-registration.