

# GEYSER MOVE



User Manual



 **CHAUVET** **3**



## Edition Notes

The Geyser Move User Manual includes a description, safety precautions, installation, programming, operation, and maintenance instructions for the Geyser Move as of the release date of this edition.

### Trademarks

Chauvet, Chauvet DJ, the Chauvet logo, and Geyser are registered trademarks or trademarks of Chauvet & Sons, LLC (d/b/a Chauvet and Chauvet Lighting) in the United States and other countries. Other company and product names and logos referred to herein may be trademarks of their respective companies.

### Copyright Notice

The works of authorship contained in this manual, including, but not limited to, all designs, text, and images are owned by Chauvet.

© **Copyright 2024 Chauvet & Sons, LLC. All rights reserved.**

Electronically published by Chauvet in the United States of America.

### Manual Use

Chauvet authorizes its customers to download and print this manual for professional information purposes only. Chauvet expressly prohibits the usage, copy, storage, distribution, modification, or printing of this manual or its content for any other purpose without written consent from Chauvet.

### Document Printing

For best results, print this document in color, on letter size paper (8.5 x 11 in), double-sided. If using A4 paper (210 x 297 mm), configure the printer to scale the content accordingly.

### Intended Audience

Any person installing, operating, and/or maintaining this product should completely read through the guide that shipped with the product, as well as this manual, before installing, operating, or maintaining this product.

### Disclaimer

Chauvet believes that the information contained in this manual is accurate in all respects. However, Chauvet assumes no responsibility and specifically disclaims any and all liability to any party for any loss, damage, or disruption caused by any errors or omissions in this document, whether such errors or omissions result from negligence, accident, or any other cause. Chauvet reserves the right to revise the content of this document without any obligation to notify any person or company of such revision; however, Chauvet has no obligation to make, and does not commit to make, any such revisions.

### Document Revision

Go to [www.chauvetdj.com](http://www.chauvetdj.com) for the latest version.

Revision	Date	Description
1	06/2024	Initial release.

## TABLE OF CONTENTS

<b>1. Before You Begin</b> .....	1
What Is Included .....	1
Unpacking Instructions .....	1
Claims .....	1
Text Conventions .....	1
Symbols .....	1
Safety Notes .....	2
FCC Statement of Compliance .....	3
RF Exposure Warning for North America and Australia .....	3
<b>2. Introduction</b> .....	4
Product Overview .....	4
Product Dimensions .....	4
<b>3. Setup</b> .....	5
AC Power .....	5
Fuse Replacement .....	5
Mounting .....	6
Orientation .....	6
Rigging .....	6
Inverting the Tank .....	7
<b>4. Operation</b> .....	9
Control Panel Operation .....	9
Menu Map .....	9
DMX Configuration .....	9
Personality and Starting Address .....	9
Zones for DMX Control .....	10
DMX Charts .....	10
Geyser WRC Configuration .....	11
Color Selection .....	11
Motor Angle Selection .....	11
Geyser WRC Overview .....	11
<b>5. Maintenance</b> .....	12
Product Maintenance .....	12
Fog Machine Maintenance .....	12
Storage .....	12
<b>6. Technical Specifications</b> .....	13
<b>Contact Us</b> .....	14
Warranty & Returns .....	14

# 1. Before You Begin

## What Is Included

- Geysler Move
- Power cable
- Geysler WRC (Wireless Remote Control) and receiver
- Hanging bracket (x2)
- Quick Reference Guide

## Unpacking Instructions

Carefully unpack the product immediately and check the container to make sure all the parts are in the package and are in good condition.

## Claims





If the box or the contents (the product and included accessories) appear damaged from shipping, or show signs of mishandling, notify the carrier immediately, not Chauvet. Failure to report damage to the carrier immediately may invalidate a claim. In addition, keep the box and contents for inspection.

For other issues, such as missing components or parts, damage not related to shipping, or concealed damage, file a claim with Chauvet within 7 days of delivery.

## Text Conventions

Convention	Meaning
<b>1–512</b>	A range of values
<b>50/60</b>	A set of values of which only one can be chosen
<b>Settings</b>	A menu option not to be modified
<b>&lt;ENTER&gt;</b>	A key to be pressed on the product's control panel
<b>ON</b>	A value to be entered or selected

## Symbols

Symbol	Meaning
	Electrical warning. Not following these instructions may cause electrical damage to the product, accessories, or the user.
	Critical installation, configuration, or operation information. Not following these instructions may make the product not work, cause damage to the product, or cause harm to the operator.
	Important installation or configuration information. The product may not function correctly if this information is not used.
	Useful information.

### Safety Notes

These Safety Notes include important information about installation, use, and maintenance of the Geyser Move.



- **ALWAYS:**
  - ◆ Connect to a grounded circuit.
  - ◆ Connect to operating voltages as specified on the product's spec sticker.
  - ◆ Disconnect from power before replacing the fuse.
  - ◆ Disconnect from its power source during periods of inactivity.
  - ◆ Use a safety cable when suspending overhead.
  - ◆ Heed all restrictions and warnings on the spec sticker.
  - ◆ Mount in a location with at least 20 in (50 cm) of ventilation.
  - ◆ Replace the fuse with the same type and rating.
  - ◆ Use Chauvet fluids.
  - ◆ Drain the tank before transporting or storing the product.
  - ◆ Keep the fluid tank upright.
  - ◆ Clean the machine after every use.
  - ◆ Clean around the product during and after use, as surfaces may become slippery.

- In the event of a serious operating problem, stop using immediately.
- All fog machines may set off smoke detectors.
- **DO NOT:**
  - ◆ Open this product or attempt any repairs. It contains no user-serviceable parts.
  - ◆ Look at the light source when the product is on.
  - ◆ Use if the power cable is crimped or damaged.
  - ◆ Disconnect by pulling on the power cable.
  - ◆ Allow flammable materials close to the product when it is operating.
  - ◆ Touch the housing when it is on.
  - ◆ Block any ventilation holes/slots in the housing.
  - ◆ Connect to a dimmer or rheostat.
  - ◆ Carry the product by its power cable.
  - ◆ Operate in temperatures higher than 104°F (40°C).
  - ◆ Expose to environments that exceed the Ingress Protection (IP) rating.
  - ◆ Expose to rain or moisture.
  - ◆ Use outdoors.
  - ◆ Submerge.
  - ◆ Set this product on a flammable surface.
  - ◆ Touch the output nozzle. It may be hot for several hours after use.
  - ◆ Drink the fluid.
  - ◆ Add perfume, alcohol, gasoline or any other chemical to the fluid.
  - ◆ Use for space-heating purposes.



**Keep this User Manual for future use. If the product is sold to someone else, be sure that they also receive this document.**

## **FCC Statement of Compliance**

This device complies with Part 15 Part B of the FCC rules. Operation is subject to the following two conditions:

1. This device may not cause harmful interference, and
2. This device must accept any interference received, including interference that may cause undesired operation.

This equipment has been tested and found to comply with the limits for a Class B digital device, pursuant to Part 15 of the FCC Rules. These limits are designed to provide reasonable protection against harmful interference in a residential installation. This equipment generates uses and can radiate radio frequency energy and, if not installed and used in accordance with the instructions, may cause harmful interference to radio communications. However, there is no guarantee that interference will not occur in a particular installation. If this equipment does cause harmful interference to radio or television reception, which can be determined by turning the equipment off and on, the user is encouraged to try to correct the interference by one or more of the following measures:

- Reorient or relocate the receiving antenna.
- Increase the separation between the equipment and receiver.
- Connect the equipment into an outlet on a circuit different from that to which the receiver is connected.
- Consult the dealer or an experienced radio/TV technician for help.

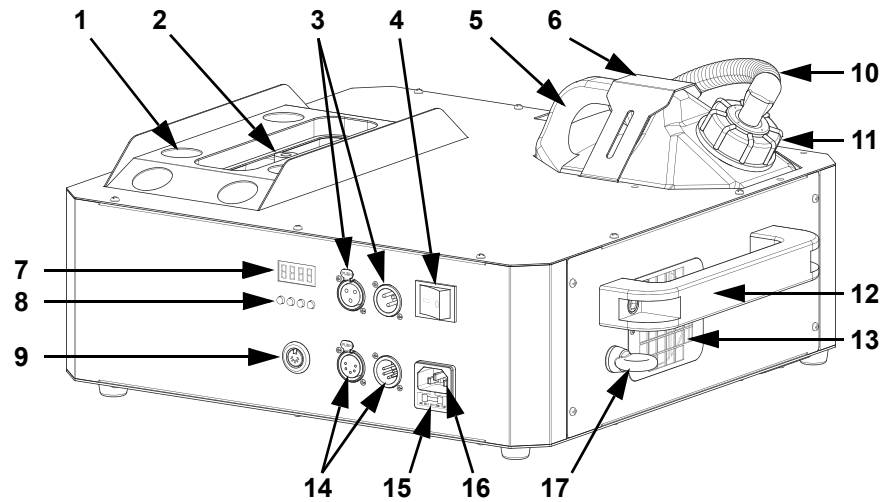
Any changes or modifications not expressly approved by the party responsible for compliance could void the user's authority to operate the equipment.

## **RF Exposure Warning for North America and Australia**

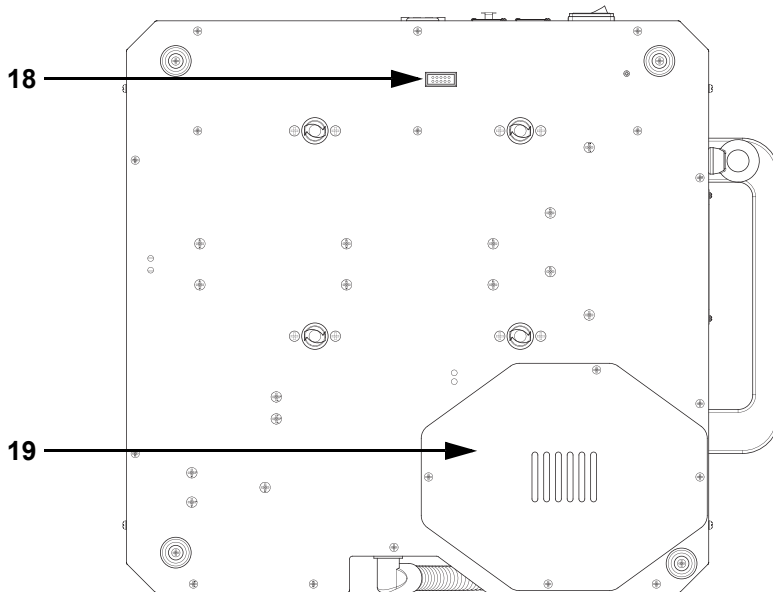
**Warning!** This equipment complies with FCC radiation exposure limits set forth for an uncontrolled environment. This equipment should be installed and operated with a minimum distance of 20 cm between the radiator and the user. This transmitter must not be co-located or operating in conjunction with any other antenna or transmitter.

## 2. Introduction

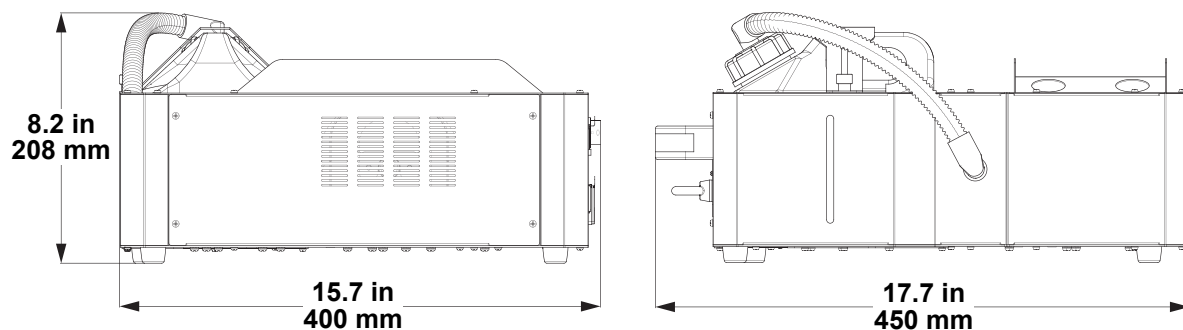
### Product Overview



#	Name
1	Penta-color LED (x8)
2	Motorized output nozzle
3	3-pin DMX in/out
4	Power switch
5	Fluid tank
6	Tank bracket
7	LED display
8	Menu buttons
9	WRC receiver input
10	External fluid hose
11	Fluid tank cap
12	Carry handle
13	Ventilation
14	5-pin DMX in/out
15	Fuse holder
16	Power in
17	Safety loop
18	10-pin update port
19	Tank base plate



### Product Dimensions



### 3. Setup

#### AC Power

The Geyser Move has a fixed voltage power supply, and it can work with an input voltage range of either 120 VAC, 60 Hz or 230 VAC, 50 Hz, depending on the specific model.

To determine the product's power requirements (circuit breaker, power outlet, and wiring), use the current value listed on the label affixed to the product's back panel, or refer to the product's specifications chart. The listed current rating indicates the product's average current draw under normal conditions.



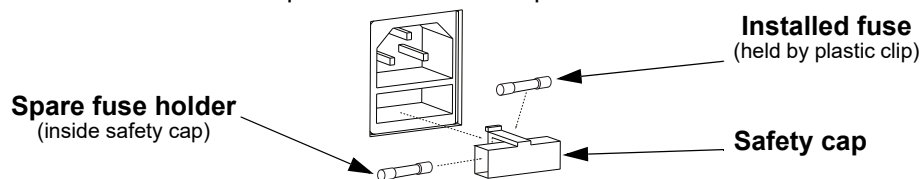
- **Always connect the product to a protected circuit (a circuit breaker or fuse). Make sure the product has an appropriate electrical ground to avoid the risk of electrocution or fire.**
- **To eliminate unnecessary wear and improve its lifespan, during periods of non-use completely disconnect the product from power via breaker or by unplugging it.**



**Never connect the product to a rheostat (variable resistor) or dimmer circuit, even if the rheostat or dimmer channel serves only as a 0 to 100% switch.**

#### Fuse Replacement

1. Disconnect the product from power.
2. Wedge the tip of a flat-head screwdriver into the slot of the fuse holder.
3. Pry the fuse holder out of the housing.
4. Remove the blown fuse from the holder and replace with a fuse of the exact same type and rating.
5. Insert the fuse holder back in place and reconnect power.



**Disconnect the product from the power outlet before replacing the fuse.**



**Always replace a blown fuse with one of the same type and rating.**



**While operating the Geyser Move, make sure there is adequate fog fluid in the machine to prevent pump and heater damage. When the fog fluid level becomes low, simply add more fog fluid to continue using the Geyser Move.**



**Ensure the fluid tank is upright, regardless of the mounting orientation.**



## Mounting

Before mounting the product, read and follow the safety recommendations indicated in the [Safety Notes](#).

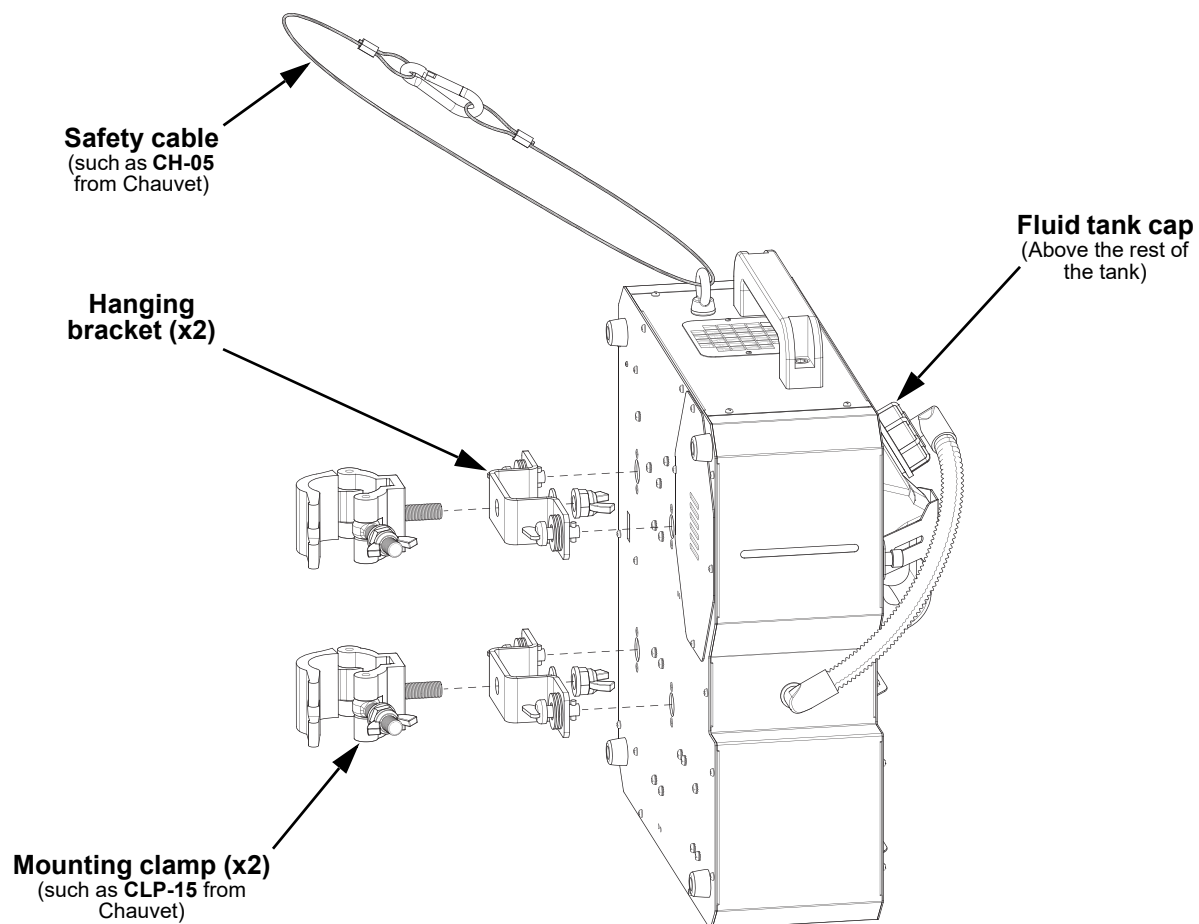
### Orientation

The Geyser Move may be mounted in any position; however, make sure adequate ventilation is provided around the product. In addition, make sure the fluid tank is in an upright position. See Inverting the Tank for information on mounting in other positions.

### Rigging

- Before deciding on a location for the product, always make sure there is easy access to the product for maintenance and programming.
- Make sure that the structure and attachment points can support the weight before hanging the product (see the [Technical Specifications](#))
- When mounting the product overhead, always use a safety cable. Mount the product securely to a rigging point, such as an elevated platform or a truss.
- When rigging the product onto a truss, use a mounting clamp of appropriate weight capacity. The brackets have 13-mm holes, which are appropriate for this purpose.
- When mounting the product on the floor, make sure that the product and cables are away from people and vehicles.

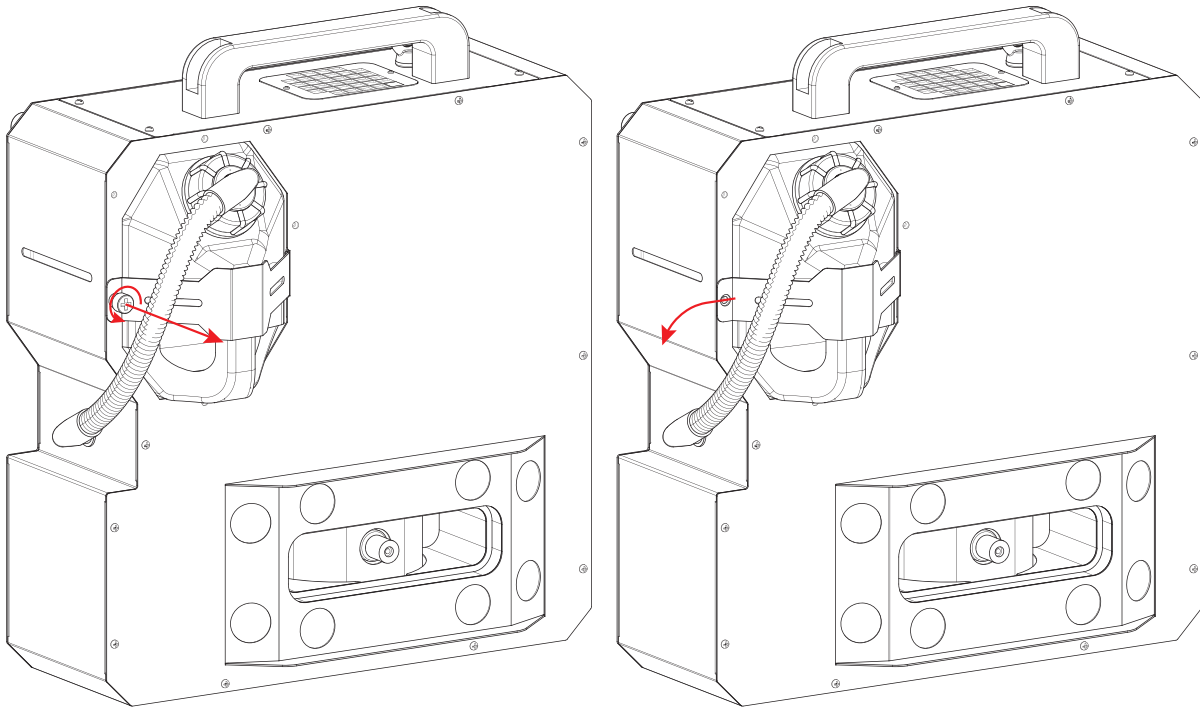
### Sideways Mounting Diagram



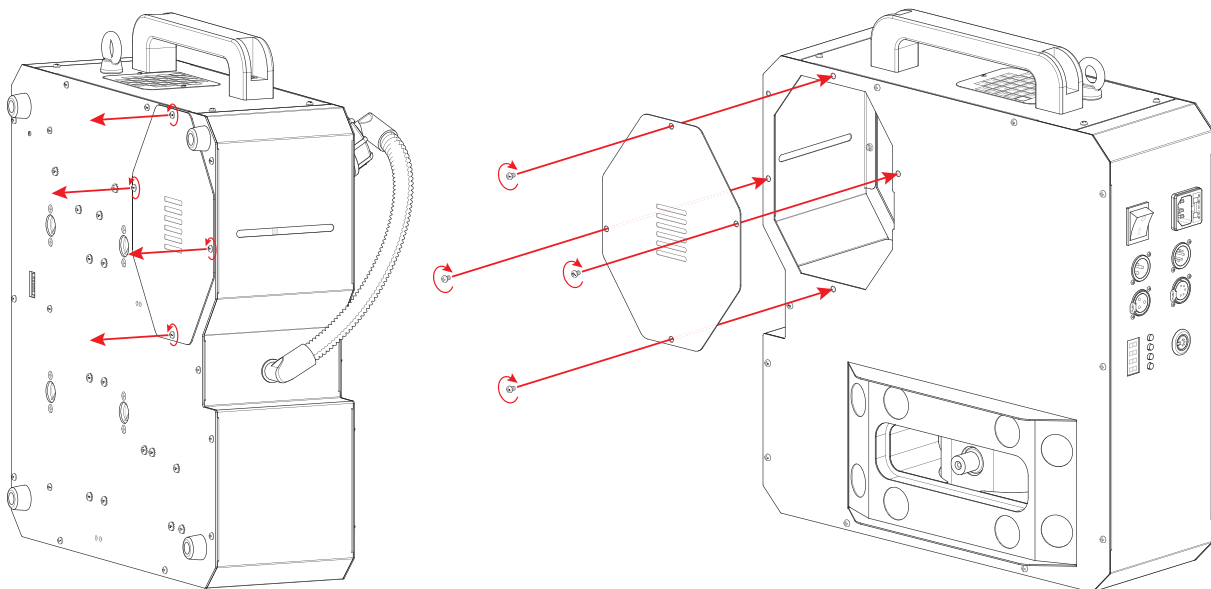
### Inverting the Tank

To mount the Geyser Move in a position where the fluid tank would normally not be upright, it will be necessary to invert the tank orientation.

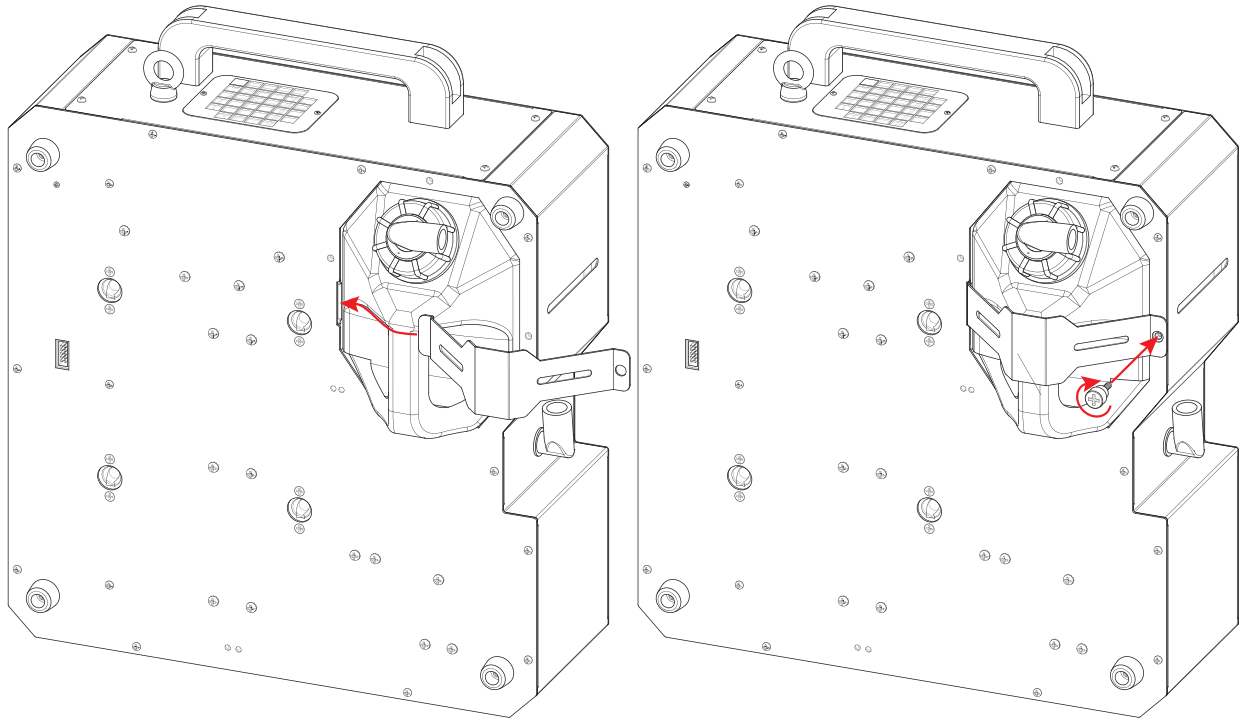
1. Remove the thumbscrew securing the fluid tank bracket, slide the bracket out and place it to the side.



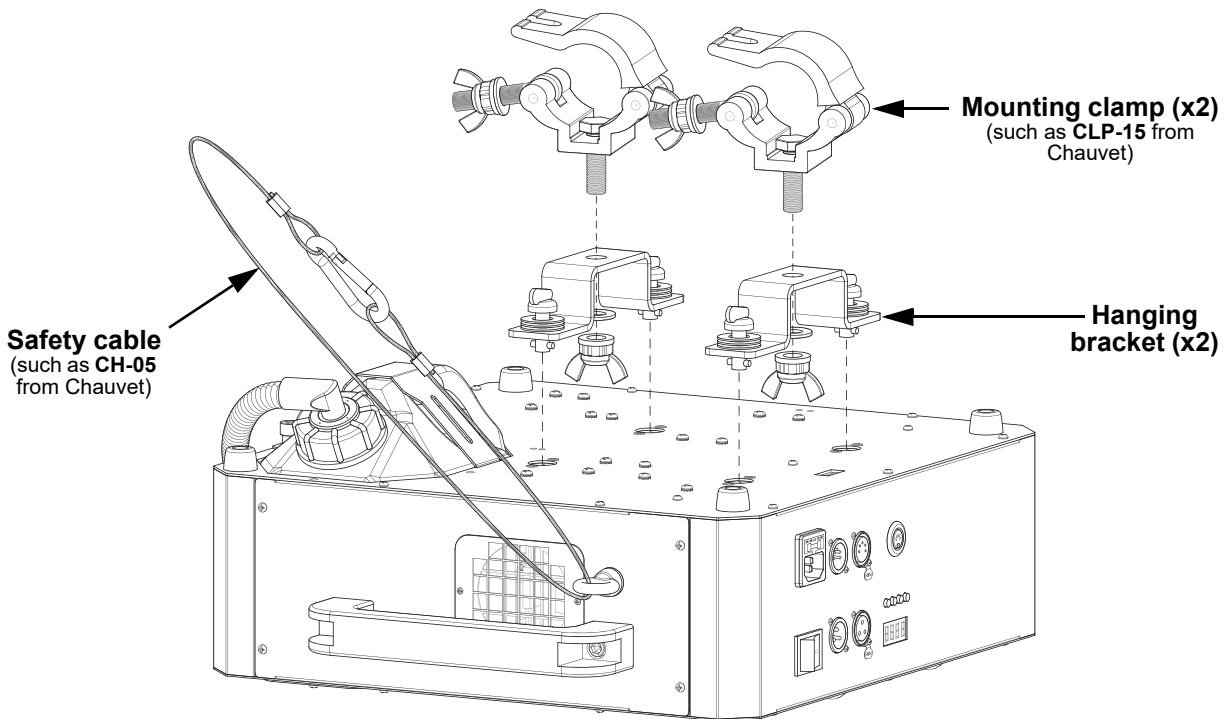
2. Remove the fluid tank and set it to the side.
3. Remove the tank base plate by removing four screws, and install it on the opposite side with the same four screws.



4. Insert the fluid tank in the opposite side from the original position.
5. Insert the fluid tank bracket in the slot and secure it with the thumbscrew.



## Inverted Mounting Diagram



## 4. Operation

### Control Panel Operation

To access the control panel functions, use the four buttons located underneath the display. Please refer to the [Product Overview](#) to see the button locations on the control panel.

Button	Function
<MENU>	Press to find an operation mode or to back out of the current menu option
<UP>	Press to scroll up the list of options or to find a higher value
<DOWN>	Press to scroll down the list of options or to find a lower value
<ENTER>	Press to activate a menu option or a selected value

### Menu Map

Refer to the Geyser Move product page on [www.chauvetdj.com](http://www.chauvetdj.com) for the latest menu map and software.

Mode	Programming Levels		Description	
DMX Mode	Addr	1–512	Sets the DMX starting address	
WRC Color	CH-1–4	oFF	Sets no color output for the selected WRC button	
		Co 1–20	Sets the following static color(s) for the selected WRC button:	
			Co 1: red	Co11: zone 1 green, zone 2 red
			Co 2: green	Co12: zone 1 blue, zone 2 red
			Co 3: blue	Co13: zone 1 red, zone 2 green
			Co 4: amber	Co14: zone 1 blue, zone 2 green
			Co 5: ultraviolet	Co15: zone 1 red, zone 2 blue
			Co 6: hot pink	Co16: zone 1 green, zone 2 blue
			Co 7: magenta	Co17: zone 1 amber, zone 2 magenta
			Co 8: yellow	Co18: zone 1 blue, zone 2 magenta
Co 9: cyan	Co19: zone 1 magenta, zone 2 amber			
Co10: white	Co20: zone 1 hot pink, zone 2 blue			
		rAnd	Sets a random color chase for the selected WRC button	
WRC Angle	dEG1–4	1–255	Sets the motor angle for the selected WRC button	
		rAnd	Sets a random movement macro for the selected WRC button	



After connecting power, allow 5 to 6 minutes for the Geyser Move to heat up before triggering fog output.

### DMX Configuration

The Geyser Move works with a DMX controller. Information about DMX is in the Chauvet DMX Primer, which is available from the Chauvet website [chauvetlighting.com/downloads/DMX\\_Primer\\_rev05\\_WO.pdf](http://chauvetlighting.com/downloads/DMX_Primer_rev05_WO.pdf).

#### Personality and Starting Address

The Geyser Move uses 16 DMX channels in the DMX mode, which defines the highest recommended address to **497**.

When selecting a starting DMX address, always consider the number of DMX channels the DMX mode uses. If the starting address is set too high, access to some channels could be restricted.

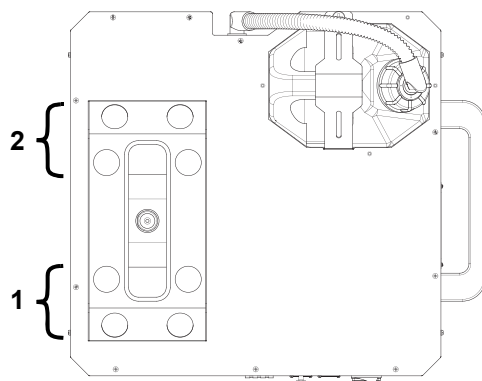
For information about the DMX protocol, download the DMX Primer from [www.chauvetdj.com](http://www.chauvetdj.com).

To select the personality and starting address, do the following:

1. Press <MENU> repeatedly until **Addr** shows on the display.
2. Press <ENTER>.
3. Use <UP> or <DOWN> to select the starting address, from **1–512**.
4. Press <ENTER>.

## DMX Channel Assignments and Values

### Zones for DMX Control



### DMX Charts

Channel	Function	Value	Percent/Setting
1	Fog	000 ⇔ 009	No function
		010 ⇔ 255	Fog output
2	Red 1	000 ⇔ 011	No function
		012 ⇔ 255	0–100%
3	Green 1	000 ⇔ 011	No function
		012 ⇔ 255	0–100%
4	Blue 1	000 ⇔ 011	No function
		012 ⇔ 255	0–100%
5	Amber 1	000 ⇔ 011	No function
		012 ⇔ 255	0–100%
6	Ultraviolet 1	000 ⇔ 011	No function
		012 ⇔ 255	0–100%
7	Red 2	000 ⇔ 011	No function
		012 ⇔ 255	0–100%
8	Green 2	000 ⇔ 011	No function
		012 ⇔ 255	0–100%
9	Blue 2	000 ⇔ 011	No function
		012 ⇔ 255	0–100%
10	Amber 2	000 ⇔ 011	No function
		012 ⇔ 255	0–100%
11	Ultraviolet 2	000 ⇔ 011	No function
		012 ⇔ 255	0–100%
12	Color macro	000 ⇔ 009	No function
		010 ⇔ 255	Color macros
13	Color macro speed	000 ⇔ 009	No function
		010 ⇔ 255	Color macro speed, slow to fast
14	Strobe	000 ⇔ 009	No function
		010 ⇔ 255	Strobe, slow to fast
15	Dimmer	000 ⇔ 011	No function
		012 ⇔ 255	0–100%
16	Motor	000 ⇔ 029	No function
		030 ⇔ 255	Motor angle, -45° to +45°

## Geyser WRC Configuration

The included Geyser Wireless Remote Control (WRC) and receiver allows up to 4 preset colors and motor positions to be triggered from up to 100 ft (30 m) away. See the [Product Overview](#) for the location of the receiver input port.



**After connecting power, allow 5 to 6 minutes for the Geyser Move to heat up before triggering fog output.**

### Color Selection

To configure the color output triggered by a button on the Geyser WRC (<1>–<4>), do the following:

1. Press <MENU> repeatedly to select which button to configure, from **CH-1** (<1>), **CH-2** (<2>), **CH-3** (<3>), or **CH-4** (<4>).
2. Press <ENTER>.
3. Use <UP> or <DOWN> to select the desired output, from:

Option	Description	Option	Description
<b>oFF</b>	No color output	<b>Co11</b>	zone 1 green, zone 2 red
<b>Co 1</b>	Red	<b>Co12</b>	zone 1 blue, zone 2 red
<b>Co 2</b>	Green	<b>Co13</b>	zone 1 red, zone 2 green
<b>Co 3</b>	Blue	<b>Co14</b>	zone 1 blue, zone 2 green
<b>Co 4</b>	Amber	<b>Co15</b>	zone 1 red, zone 2 blue
<b>Co 5</b>	Ultraviolet	<b>Co16</b>	zone 1 green, zone 2 blue
<b>Co 6</b>	Hot pink	<b>Co17</b>	zone 1 amber, zone 2 magenta
<b>Co 7</b>	Magenta	<b>Co18</b>	zone 1 blue, zone 2 magenta
<b>Co 8</b>	Yellow	<b>Co19</b>	zone 1 magenta, zone 2 amber
<b>Co 9</b>	Cyan	<b>Co20</b>	zone 1 hot pink, zone 2 blue
<b>Co10</b>	White	<b>rAnd</b>	Random color chase

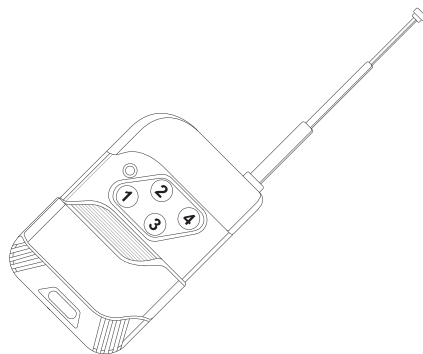
4. Press <ENTER>.

### Motor Angle Selection

To configure the motorized output nozzle position triggered by a button on the Geyser WRC (<1>–<4>), follow the instructions below:

1. Press <MENU> repeatedly to select which button to configure, from **dEG1** (<1>), **dEG2** (<2>), **dEG3** (<3>), or **dEG4** (<4>).
2. Press <ENTER>.
3. Use <UP> or <DOWN> to select the desired motor position, from **1–255** (-45° to +45°) or **rAnd** (a random movement macro).
4. Press <ENTER>.

### Geyser WRC Overview



**Ensure the Geyser WRC has an unobstructed view of the product for maximum performance.**

## 5. Maintenance

### Product Maintenance

Dust build-up reduces light output performance and can cause overheating. This can lead to reduction of the light source's life and/or mechanical wear. To maintain optimum performance and minimize wear, clean all lighting products at least twice a month. However, be aware that usage and environmental conditions could be contributing factors to increase the cleaning frequency.

To clean the product, follow the instructions below:

1. Unplug the product from power.
2. Wait until the product is at room temperature.
3. Use a vacuum (or dry compressed air) and a soft brush to remove dust collected on the external surface/vents.
4. Clean all transparent surfaces with a mild soap solution, ammonia-free glass cleaner, or isopropyl alcohol.
5. Apply the solution directly to a soft, lint free cotton cloth or a lens cleaning tissue.
6. Softly drag any dirt or grime to the outside of the transparent surface.
7. Gently polish the transparent surfaces until they are free of haze and lint.



**Always dry the transparent surfaces carefully after cleaning them.**



**Do not spin the cooling fans using compressed air because they could be damaged.**

### Fog Machine Maintenance

Do not allow the fog machine to become clogged. After every 40 hours of continuous operation, use Chauvet Fog Cleaner Quart (FCQ) through the system to prevent the accumulation of particulate matter in the heating element.

The recommended cleaning procedure is as follows.

1. Unplug the product from power.
2. Empty all fog fluid from the machine.
3. Add cleaning solution to the tank.
4. Connect the product to power and allow it to warm up.
5. Run the unit in a well-ventilated area until the tank is almost empty. Do not allow the pump to run dry.
6. Refill with fog fluid to continue using the fog machine. Run the machine briefly to clear any remaining cleaning solution from the pump and heater.



**Do not operate the machine without fluid at any time.**



**Fog Cleaner Quart (FCQ) was specifically developed by Chauvet to clean the Geyser Move. Use FCQ regularly, no longer than 90 days between cleanings, to increase the life of the product.**

### Storage

Before storing the fog machine, run FCQ through the system as described in the cleaning procedure above; however, only follow steps 1 through 5. **Do not refill the tank with fog fluid if storing the Geyser Move.** Cleaning the system prior to storage will help prevent any particles from condensing inside the pump or heater while not in use.



**Test-run the Geyser Move on a monthly basis to achieve the best performance.**

## 6. Technical Specifications

### Dimensions and Weight

Length	Width	Height	Weight
8.2 in (208 mm)	15.7 in (400 mm)	17.7 in (450 mm)	24.6 lb (11.1 kg)

**Note:** Dimensions in inches are rounded.

### Power

Power Supply Type	Range	Voltage Selection
Model-specific	120 VAC, 60 Hz or 230 VAC, 50 Hz	Fixed
Parameter	120 V, 60 Hz	230 V, 50 Hz
Consumption	1,240 W	1,240 W
Operating Current	11 A	5.5 A
Fuse	F15 A, 250 V	F15 A, 250 V
Power I/O	U.S./Worldwide	UK/Europe
Power input connector	IEC	IEC
Power output connector	Edison	IEC
Power cable plug	Edison (U.S.)	Local Plug

### Operation

Heat-Up Time	Tank Capacity	Fluid Consumption	Fog Output
5 min	0.6 gal (2.4 l)	62.5 ml/min	17,000 cfm

### Light Source

Type	Color	Quantity	Power	Current	Lifespan
LED	Penta-color RGBA+UV	8	10 W	2.5 A	50,000 hours

### Photometrics

Strobe Rate	Beam Angle	Illuminance @ 2 m
0 to 20 Hz	57°	595 lux

### Thermal

Maximum External Temperature	Cooling System
104 °F (40 °C)	Fan-assisted convection

### DMX

I/O Connector	Channel Range
3- and 5-pin XLR	16

### Ordering

Product Name	Item Code	UPC Number
Geyser Move (120 V)	05072303	781462226510
Geyser Move (230 V)	05072306	781462226541





## Contact Us

General Information	Technical Support
<b>Chauvet World Headquarters</b>	
Address: 3360 Davie Rd., Suite 509 Davie, FL 33314 Voice: (954) 577-4455 Fax: (954) 929-5560 Toll Free: (800) 762-1084	Voice: (844) 393-7575 Fax: (954) 756-8015 Email: <a href="mailto:chauvetcs@chauvetlighting.com">chauvetcs@chauvetlighting.com</a>  Website: <a href="http://www.chauvetdj.com">www.chauvetdj.com</a>
<b>Chauvet U.K.</b>	
Address: Pod 1 EVO Park Little Oak Drive, Sherwood Park Nottinghamshire, NG15 0EB UK Voice: +44 (0) 1773 511115 Fax: +44 (0) 1773 511110	Email: <a href="mailto:UKtech@chauvetlighting.eu">UKtech@chauvetlighting.eu</a>  Website: <a href="http://www.chauvetdj.eu">www.chauvetdj.eu</a>
<b>Chauvet Benelux</b>	
Address: Stokstraat 18 9770 Kruishoutem Belgium Voice: +32 9 388 93 97	Email: <a href="mailto:BNLtech@chauvetlighting.eu">BNLtech@chauvetlighting.eu</a>  Website: <a href="http://www.chauvetdj.eu">www.chauvetdj.eu</a>
<b>Chauvet France</b>	
Address: 3, Rue Ampère 91380 Chilly-Mazarin France Voice: +33 1 78 85 33 59	Email: <a href="mailto:FRtech@chauvetlighting.fr">FRtech@chauvetlighting.fr</a>  Website: <a href="http://www.chauvetdj.eu">www.chauvetdj.eu</a>
<b>Chauvet Germany</b>	
Address: Bruno-Bürgel-Str. 11 28759 Bremen Germany Voice: +49 421 62 60 20	Email: <a href="mailto:DEtech@chauvetlighting.de">DEtech@chauvetlighting.de</a>  Website: <a href="http://www.chauvetdj.eu">www.chauvetdj.eu</a>
<b>Chauvet Mexico</b>	
Address: Av. de las Partidas 34 - 3B (Entrance by Calle 2) Zona Industrial Lerma Lerma, Edo. de México, CP 52000 Voice: +52 (728) 690-2010	Email: <a href="mailto:servicio@chauvet.com.mx">servicio@chauvet.com.mx</a>  Website: <a href="http://www.chauvetdj.mx">www.chauvetdj.mx</a>

## Warranty & Returns

For warranty terms and conditions and return information, please visit our website.

For customers in the United States and Mexico: [www.chauvetlighting.com/warranty-registration](http://www.chauvetlighting.com/warranty-registration).

For customers in the United Kingdom, Republic of Ireland, Belgium, the Netherlands, Luxembourg, France, and Germany: [www.chauvetlighting.eu/warranty-registration](http://www.chauvetlighting.eu/warranty-registration).